

AmeriGlide

Accessibility Solutions

Hercules II Hybrid

Vertical Platform Lift

INSTALLATION GUIDE

Please read this installation guide carefully to ensure correct installation of the **Hercules II Hybrid** Vertical Platform Lift.

RESIDENTIAL & COMMERCIAL

Rev. August 15th, 2018

p/n: 999355-0021

HERCULES II HYBRID VERTICAL PLATFORM LIFT

This manual describes how to install the AmeriGlide **Hercules II Hybrid** Vertical Platform Lift.

The AmeriGlide **Hercules II Hybrid** is a sleek and compact vertical platform lift that is designed for today's modern residences. The **Hercules II Hybrid** model provides the user with a seamless and safe experience. A series of safety features including; emergency stop buttons, emergency lowering device and detection safety sensors, offer the peace of mind when operating the lift.

Refer to the AmeriGlide **Hercules II Hybrid** Vertical Platform Lift Owner's Manual for details regarding operation and maintenance. The Owner's Manual can be found on our website: www.AmeriGlide.com

TECHNICAL SPECIFICATIONS

Load Capacity	750 LBS (340 KG)
Rated Travel Speed	24 FPM (0.12 M/S)
Drive Type	TRACTION CABLES
Pit Depth	4" (101.60 MM)
Maximum Travel	276" (7.01 M) TO 433" (11.00)
Codes and Standards	CSA B613-00 & B355-15
Advantages	COMPACT AND QUIET

DISCLAIMER

AmeriGlide, Inc. shall not be held responsible or liable for any personal injury or property damage caused by or resulting from inappropriate operation of original product or of a product that has been modified or altered from the original **Hercules II Hybrid** design. No person or company is authorized to change the **Hercules II Hybrid** design without authorization and the express written consent of AmeriGlide, Inc.

IMPORTANT

Do not throw away, destroy, or lose this installation guide. The instructions included in this guide must be followed to prevent product malfunction, property damage, injury, or death to the user or other people. Incorrect operation due to ignoring instructions found in this guide can cause harm, damage, injury or death. A summary of safety precautions is found below.

For more technical materials such as drawings and specifications, end user support, and manuals, visit www.AmeriGlide.com

WARNING

Read all instructions contained in this installation guide before installing the AmeriGlide **Hercules II Hybrid** Vertical Platform Lift. It is highly recommended to observe and adhere to all governing codes and ordinances in the job site locale. This includes ensuring all work and materials comply and conform with all authorities having jurisdictions. Proper installation is the responsibility of the installer and failure to follow all instructions renders the AmeriGlide Limited Warranty null and void.

SAFETY PRECAUTIONS

Safety of personnel is the primary concern during all procedures. Before beginning installation, read and understand the installation guide and containing procedures carefully to ensure correct and safe installation. Use the appropriate tools and accessories during installation. Plan your work and do not work alone, if possible. Know how to obtain emergency medical and fire fighting assistance.

Be sure to follow all the precautions below as they are important for ensuring safety. This installation guide classifies the safety precautions into DANGER, WARNING, CAUTION and NOTE.

DANGER	Indicates an imminently hazardous situation which, if not avoided, will result in death or serious injury.
WARNING	Failure to follow any of WARNING is likely to result in such grave consequences as death or serious injury
CAUTION	Failure to follow any of CAUTION may in some cases result in grave consequences.
NOTE	Provides information such as reminders and guidelines and do not fit into the preceding text.

IMPORTANT FOR THE INSTALLER

The AmeriGlide **Hercules II Hybrid** Vertical Platform Lift shall be installed and serviced only by an authorized AmeriGlide, Inc. Dealer only. The authorized dealer should refer to this guide for installation and servicing. For Care & Troubleshooting, please refer to the **Hercules II Hybrid** Vertical Platform Lift Owner's Manual.

Please carefully read and follow the instructions found in this guide **BEFORE** installing and/or operating the AmeriGlide **Hercules II Hybrid** Vertical Platform Lift. Improper installation, adjustment, service, use or maintenance can cause personal injury or property damage. If you have any problems or need assistance please contact your dealer immediately.

INSTALLATION SAFETY INSTRUCTIONS

WARNING - To reduce the risk of fire, electric shock, personal injuries, and/or death, obey the following precautions:

- Never exceed the maximum rated lift capacity.
- Never use the AmeriGlide **Hercules II Hybrid** Vertical Platform Lift to lift freight or other materials than intended by design.
- Read and understand the installation guide prior to installing the AmeriGlide **Hercules II Hybrid** Vertical Platform Lift.
- Wear appropriate safety protection equipment for your head, eyes, hands and feet during all phases of the installation.
- Use extreme caution when lifting components into position to avoid personal injury and damage to the equipment.
- Keep panels and protective coverings in place to avoid potentially fatal injury.
- Disconnect power from the unit before performing any electrical or mechanical service operations.
- Never bypass sensor switches which prevent accidental start up when protective panels are removed.
- Be aware of the location of others in the work zone.
- Do not wear jewelry or loose clothing.
- Lock the wheels of any mobility device riding on the platform.
- Use only recommended anchor fasteners.
- Check and verify for applicable local codes and regulations.

NOTE

Failure to comply the these Installation Safety Instructions could render the AmeriGlide Limited Warranty null and void. If you have any question or concerns that are not covered in this installation guide, please contact your dealer immediately.

TABLE OF CONTENTS

CODES AND STANDARDS	6
SITE REQUIREMENTS	6
ELECTRICAL REQUIREMENTS	6
BEFORE YOU GET STARTED	6
HARDWARE LIST	7
HERCULES II HYBRID INSTALLATION	8
1. REMOVE CARRIAGE FROM LOWER RAIL ASSEMBLY	8
2. INSTALL LOWER RAIL ASSEMBLY	9
3. INSTALL UPPER RAIL ASSEMBLY	10
4. CUT A HOLE FOR THE DRIVE UNIT	11
5. INSTALL THE DRIVE UNIT SHELF	12
6. INSTALL THE DRIVE UNIT SHIELD	12
7. INSTALL THE DRIVE UNIT BASE	13
8. DISASSEMBLE THE DRUM SHAFT ASSEMBLY	13
9. INSTALL THE DRUM SHEAVE	14
10. PREP THE DRIVE SHAFT	15
11. INSTALL THE DRIVE MOTOR	15
12. INSTALL THE DRIVE MOTOR POWER CABLE	16
13. INSTALL AND WIRE THE BATTERIES	17
14. MOUNT CARRIAGE TO LOWER RAIL ASSEMBLY	18
15. INSTALL TIMING BELT AND TENSION RELEASE	19
16. INSTALL CABIN CONTROL PANEL FLAT CABLE	20
17. INSTALL EMERGENCY PIT SWITCH	21
18. WIRE IN THE HERCULES II HYBRID POWER SUPPLY	21
19. INSTALL LIMIT/CAM & MECHANICAL STOPS	22
20. INSTALL THE MANUAL LOWERING DEVICE	23
21. INSTALL THE ELEVATOR FLOOR	24
22. ASSEMBLE CABIN SIDE PANELS	25
23. ASSEMBLE 0° CABIN BACK PANEL(OPTIONAL)	26
24. MOUNT CABIN SIDE PANELS TO FLOOR	27
25. INSTALL EMERGENCY EXIT TOP FRAME	28
26. INSTALL CABIN BACK PANEL	29
27. INSTALL CABIN SIDE PANEL WALL FINISHINGS	30
28. INSTALL COP SIDE WALL FINISHINGS	31
29. INSTALL CEILING AND FINISHINGS	32

CODES AND STANDARDS

The **Hercules II Hybrid** Vertical Platform Lift has been designed to meet **CSA B613-00 & B355-15** standards. Code requirements and standards for vertical platform lifts vary depending on location and region. It is the installer's responsibility to contact their local code enforcement office and determine all of the regulations they are subject to before installing the **Hercules II Hybrid** Vertical Platform Lift.

SITE REQUIREMENTS

The **Hercules II Hybrid** must be installed on a Supporting Wall and Floor that is capable of supporting the minimum load and standards as laid out in the Technical Drawings. Please read and verify with the Technical Drawings before beginning the installation of the **Hercules II Hybrid**.

ELECTRICAL REQUIREMENTS

The **Hercules II Hybrid** Vertical Platform Lift requires a 110VDC-15 AMP grounded electrical circuit and a GFCI protected circuit. Depending on local codes and regulations, this connection may need to be routed in electrical conduit and hard-wired.

WARNING

DO NOT OPERATE OR RIDE ON THE LIFT UNTIL IT HAS BEEN ANCHORED TO AN APPROVED PAD OR FLOOR.

BEFORE YOU GET STARTED

- Upon receipt of the **Hercules II Hybrid** Vertical Platform Lift, verify the lift for shipping damage immediately. Report any discrepancies or damage claims to your dealer.
- Carefully verify all the site specifics, technical drawings and all preparatory work prior to installation.

HARDWARE LIST

Before beginning installation, please inspect and check the box contents. Report any missing or damaged parts to your dealer. All **Hercules II Hybrid** Vertical Platform Lifts come with a Standard **Hercules II Hybrid Hardware Kit**.

HERCULES II HYBRID HARDWARE KIT		
QTY	NAME	SIZE
35	FLAT HEAD MACHINE SCREW	1/4"-20 X 3/4"
12	PAN HEAD WOOD SCREW	1/2"-#8
20	HEX BOLT	1/4"-20 X 3/4"
10	TRUSS PHILLIPS STAINLESS STEEL SCREW	1/4"-20 X 3/4"
12	NUT	1/4"-20
25	WASHER	1/4"
25	LOCK WASHER	1/4"
20	TRUSS PHILLIPS STAINLESS STEEL SCREW	1/4"-20 X 1-1/2"
4	TRUSS PHILLIPS STAINLESS STEEL SCREW	#8-32 x 1/2"
4	TRUSS PHILLIPS STAINLESS STEEL SCREW	#8-32 x 1"
4	COUPLING NUT	#8-32

HERCULES II HYBRID INSTALLATION

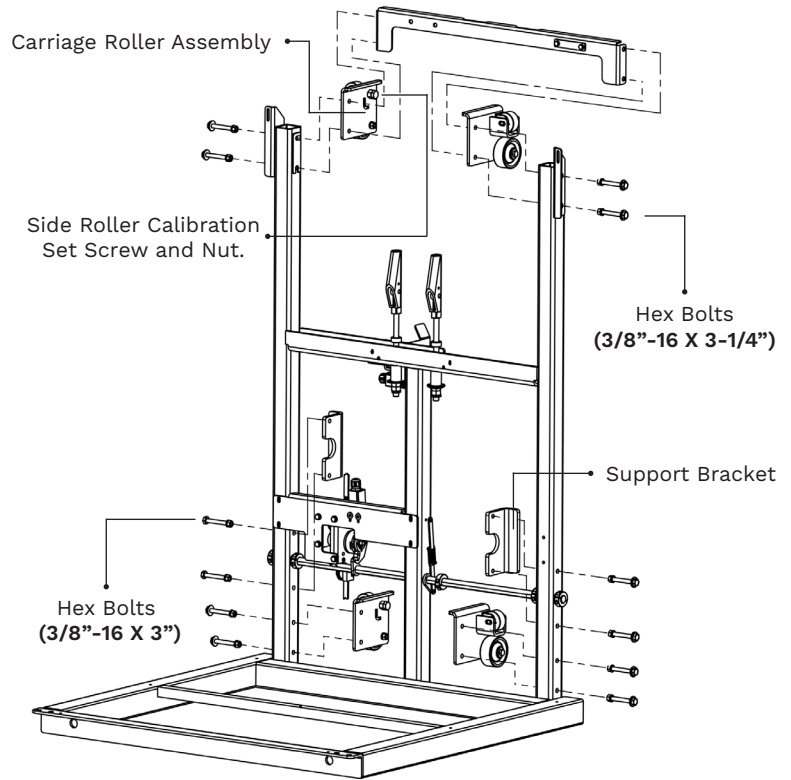
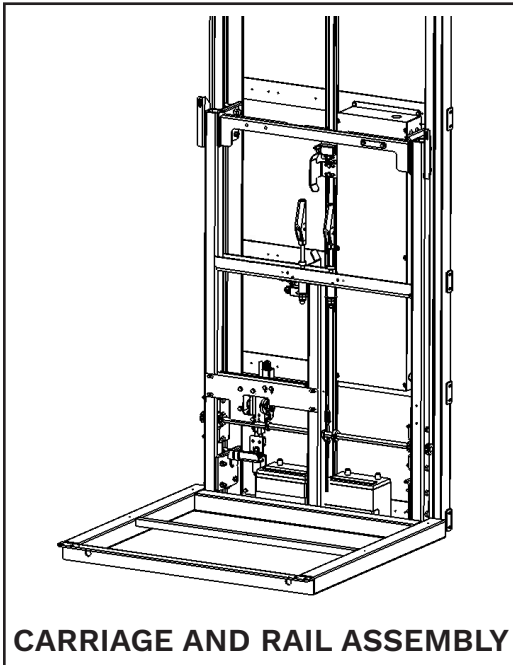
1. REMOVE CARRIAGE FROM LOWER RAIL ASSEMBLY

PROCEDURE

Remove the Carriage from the Lower Rail Assembly.

INSTALL

1. Remove the 4 Carriage Roller Assemblies and Support Brackets. **ENSURE TO TAKE NOTE AND KEEP THE SAME HEX BOLT CONFIGURATION FOR LATER REASSEMBLY.**



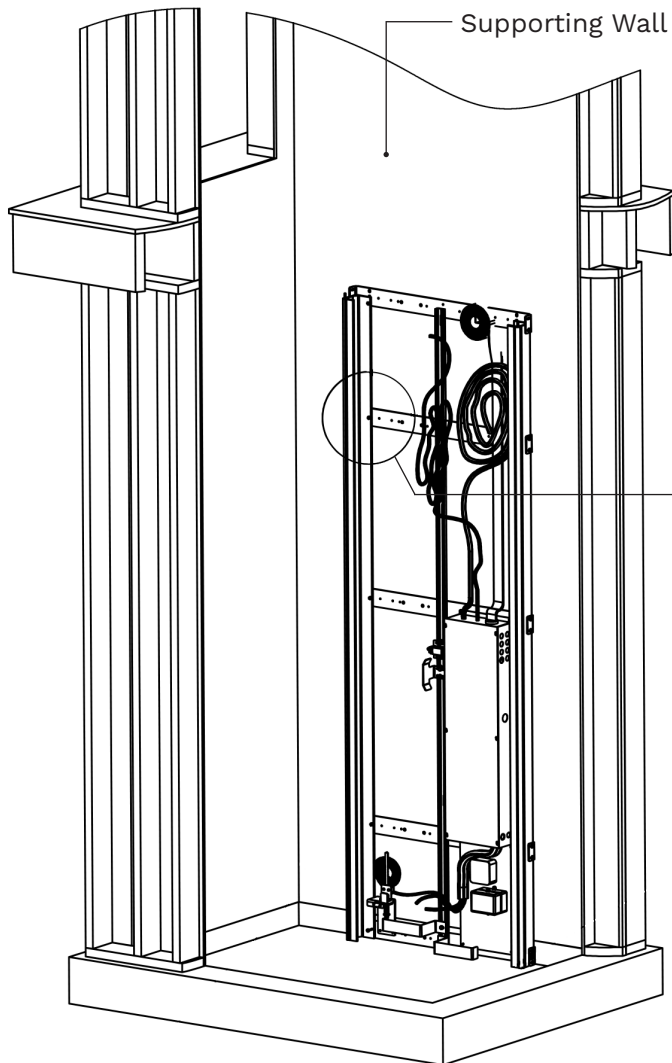
2. INSTALL LOWER RAIL ASSEMBLY

PROCEDURE

Install the Lower Rail Assembly and its components on the Supporting Wall.

INSTALL

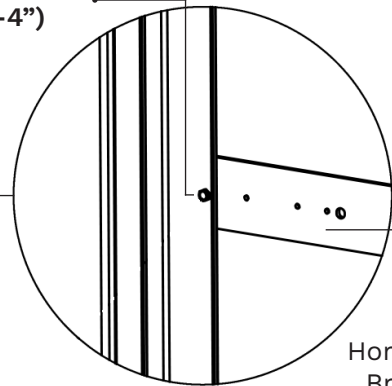
1. Align and position the Lower Rail Assembly according to the cabin dimensions and technical drawings.
2. Ensure that the bottom of the Lower Rails rest flush and directly on the floor.
3. Mount the Lower Rail Assembly to the Supporting Wall by attaching a Lag Screw (#14-4") to each side of each Horizontal Bracing. **MAKE SURE THAT YOU USE THE PRE-DRILLED HOLES FOUND ON THE HORIZONTAL BRACING.**



Refer to the number on the top middle Horizontal Brace on each Rail Assembly to know its position.

XXX / XXX

Lag Screw
(#14-4")



Horizontal
Bracing

WARNING

WHEN MOUNTING THE RAIL ASSEMBLY TO THE SUPPORTING WALL. ALWAYS USE THE PRE-DRILLED HOLES THAT INTERSECT THE RAIL AND THE HORIZONTAL BRACING WHEN MOUNTING RAIL ASSEMBLY TO SUPPORTING WALL.

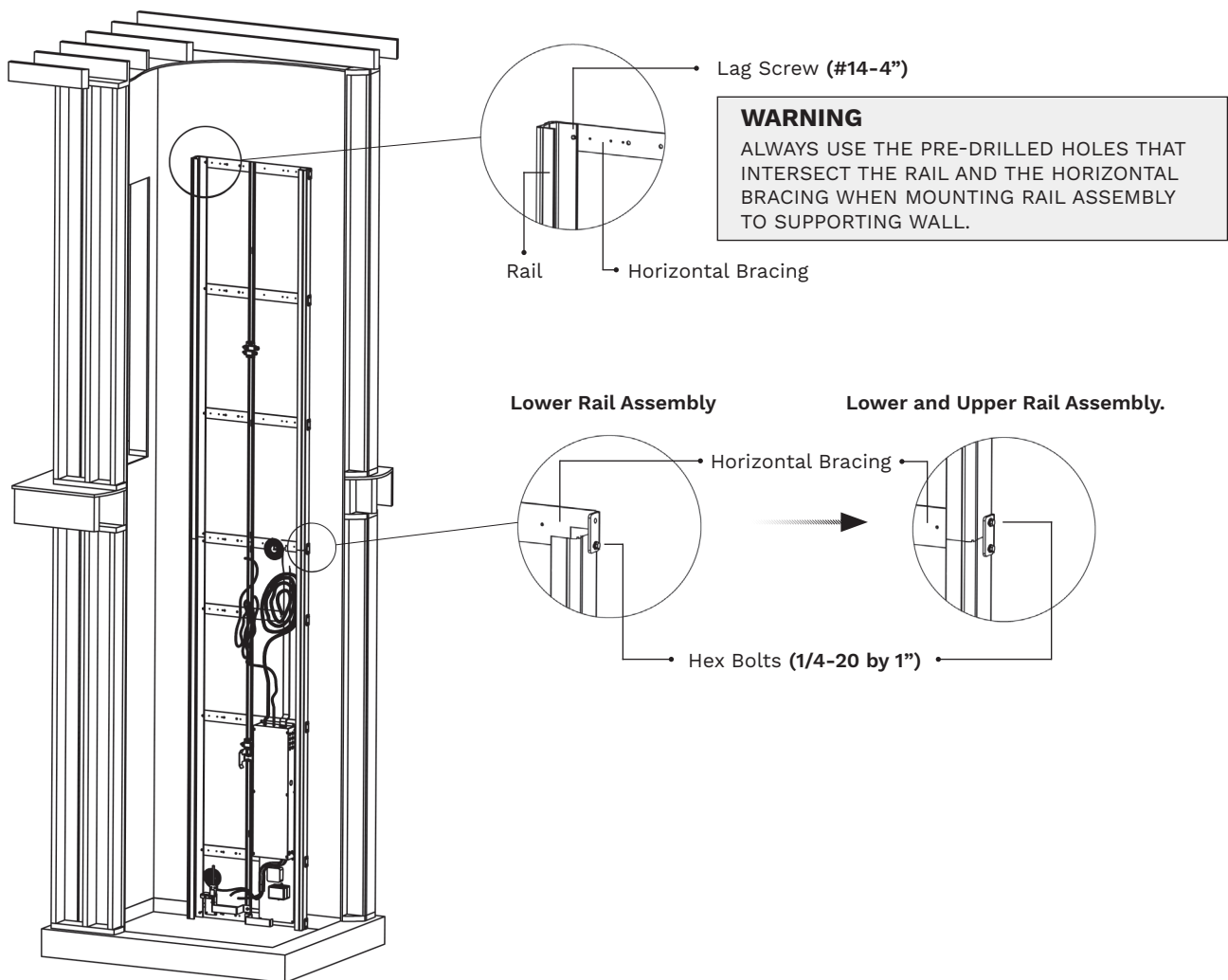
3. INSTALL UPPER RAIL ASSEMBLY

PROCEDURE

Install the Upper Rail Assembly on top of the Lower Rail Assembly.

INSTALL

1. Align and place the Upper Rail Assembly on top of the Lower Rail Assembly.
2. Ensure that the bottom of the Upper Rails rest flush on top of the Lower Rail Assembly.
3. Secure the Upper Rail Assembly to the Lower Rail Assembly using 2 Hex Bolts (**1/4"-20 X 1"**) on each side.
4. Attach the Upper Rail Assembly to the Supporting Wall using a Lag Screw (**#14-4"**) on each side. **ONLY USE THE PRE-DRILLED HOLES FOUND ON THE RAIL AND THE HORIZONTAL BRACING.**



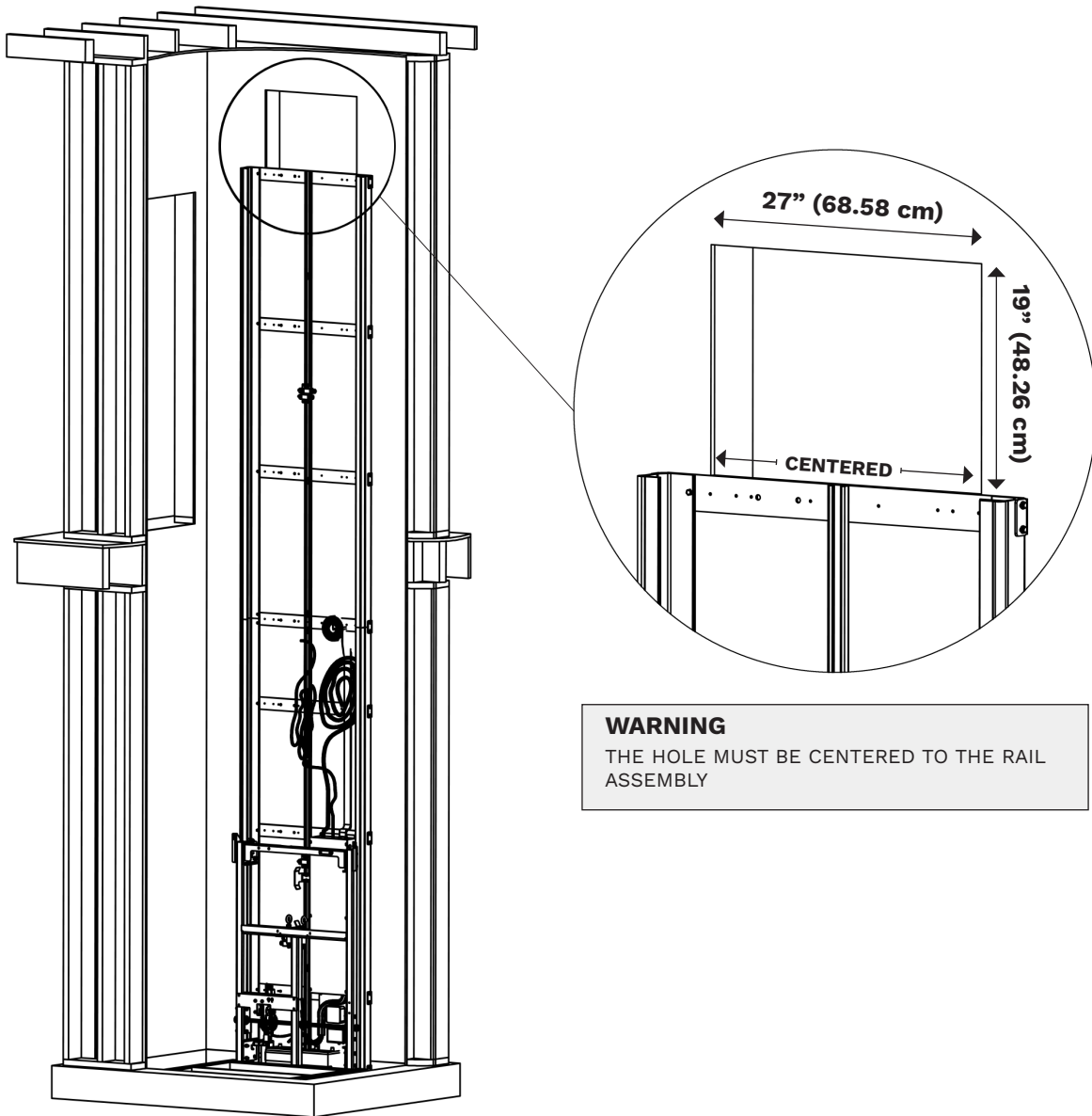
4. CUT A HOLE FOR THE DRIVE UNIT

PROCEDURE

Cut out a hole in the Supporting Wall for the Drive Unit.

INSTALL

1. Measure a 27" (68.58cm) x 19" (48.26cm) hole in the Supporting Wall above the uppermost Rail Assembly. **THE MEASURED HOLE SHOULD BE CENTERED TO THE RAIL ASSEMBLY.**
2. After measuring and verifying the correct measurements, cut out the hole.



WARNING

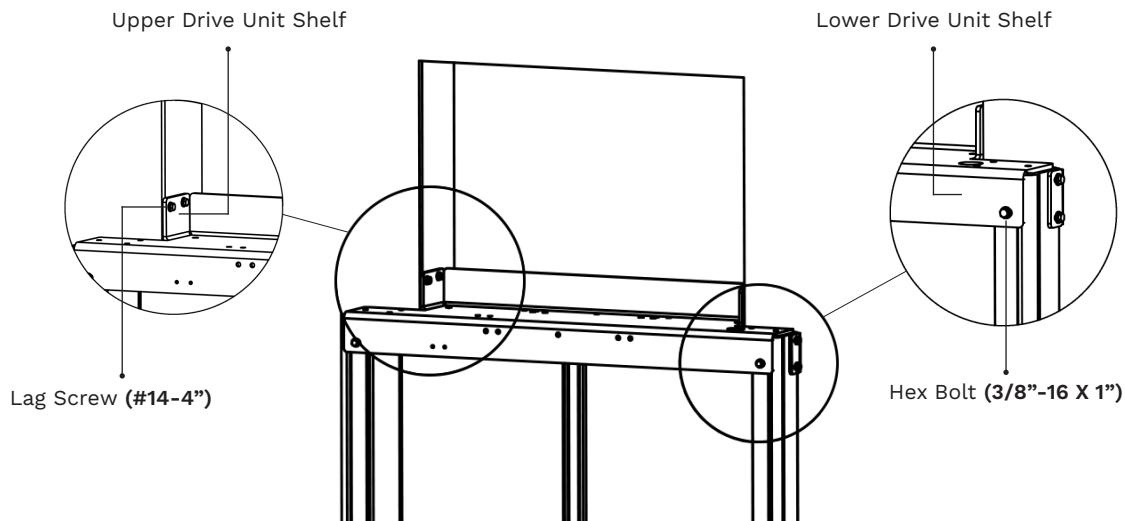
THE HOLE MUST BE CENTERED TO THE RAIL ASSEMBLY

5. INSTALL THE DRIVE UNIT SHELF

PROCEDURE

Install the Drive Unit Shelf on top of the uppermost Rail Assembly.

1. Place and fasten the Lower Drive Unit Shelf to the uppermost Rail Assembly using a Hex Bolts (**3/8"-16 X 1"**) on each side.
2. Fasten each side of the Upper Drive Unit Shelf into the studs using 2 Lag Screws (**#14 -4"**).



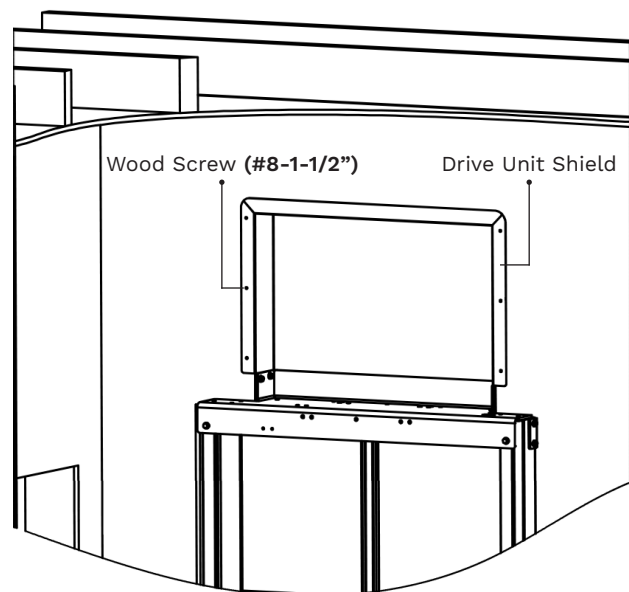
6. INSTALL THE DRIVE UNIT SHIELD

PROCEDURE

Install the Drive Unit Shield.

INSTALL

1. Insert the Drive Unit Shield into position.
2. Attach the Drive Unit Shield to the Supporting Wall studs using 6 Wood Screws (**#8-1-1/2"**).



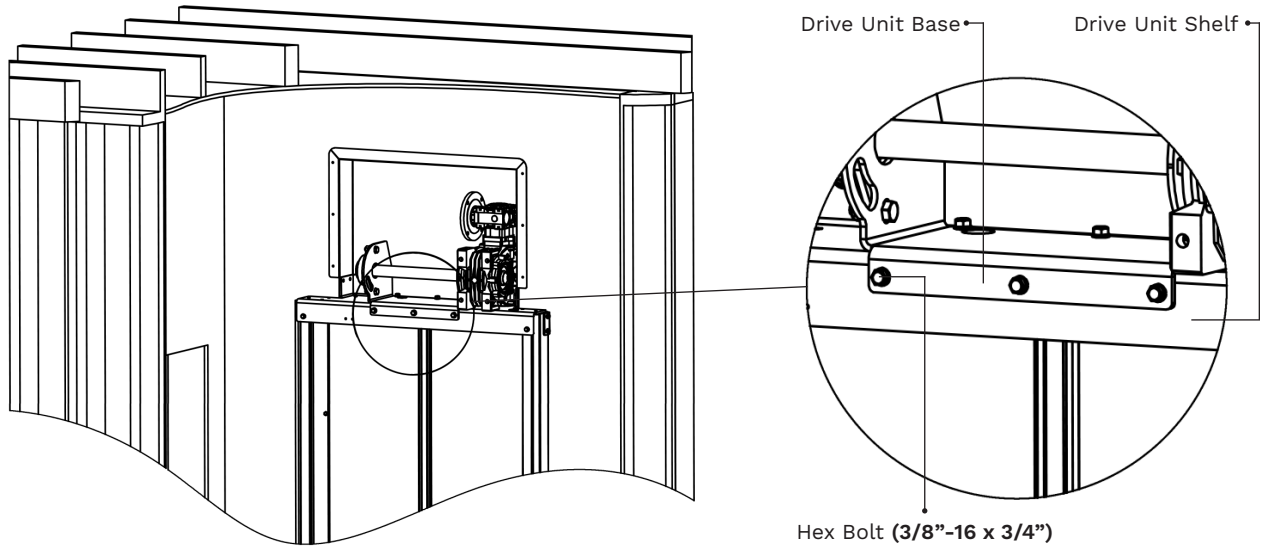
7. INSTALL THE DRIVE UNIT BASE

PROCEDURE

Install the Drive Unit Base.

INSTALL

1. Secure the Drive Unit Base to the Drive Unit Shelf using 6 Hex Bolts (**3/8"-16 x 3/4"**).



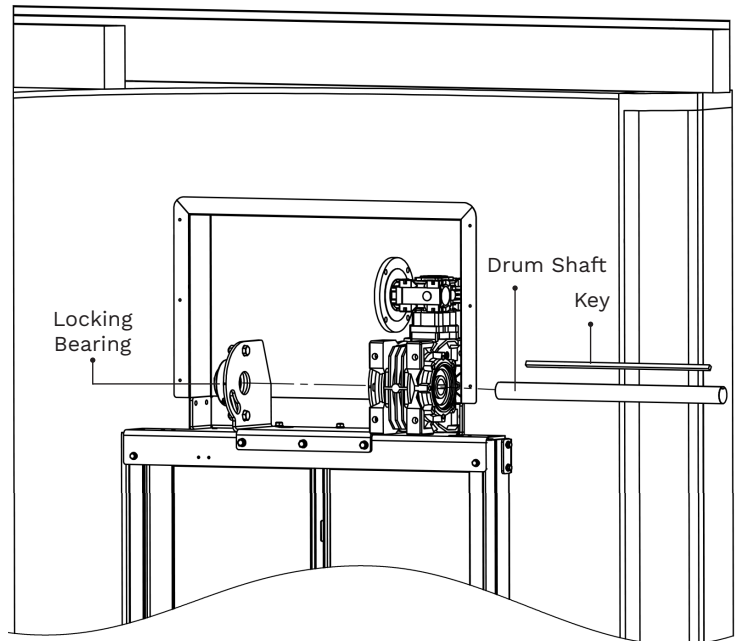
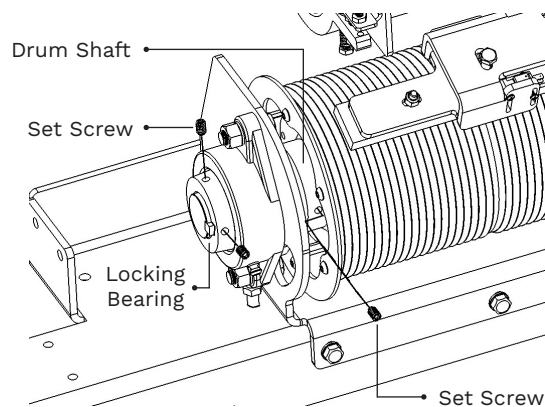
8. DISASSEMBLE THE DRUM SHAFT ASSEMBLY

PROCEDURE

Disassemble the Drum Shaft Assembly.

INSTALL

1. Loosen the Set Screws located on Locking Bearing and on the Drum Shaft.
2. Slide and remove the Drum Shaft and Key.



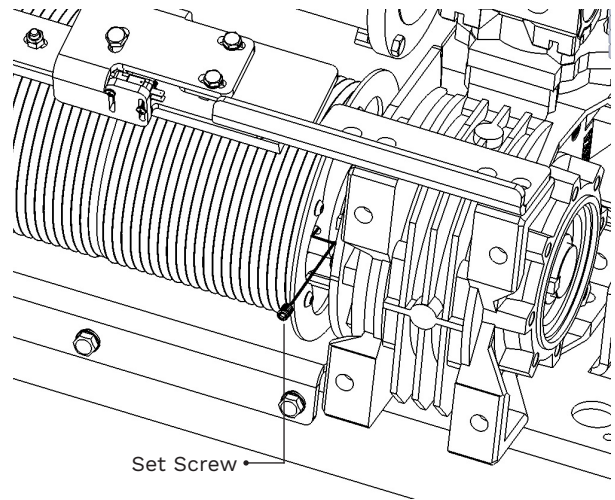
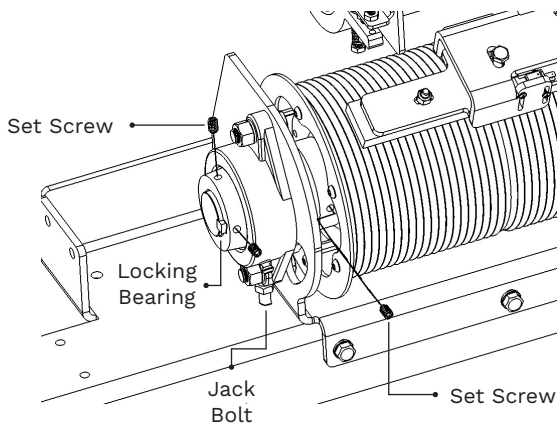
9. INSTALL THE DRUM SHEAVE

PROCEDURE

Install the Drum Sheave and reassemble the Drum Shaft Assembly.

INSTALL

1. Place the Drum Sheave into position and insert the Drum Shaft and Key.
2. Tighten the Set Screws on each side of the Drum Shaft. **ENSURE THE SET SCREWS ARE FIRMLY FASTENED TO THE DRUM KEY AND SHAFT.**
3. Unroll the two cables on the Drum Sheave until they are around **24" (60.96 cm)** from the ground. **ALWAYS KEEP A MINIMUM OF ONE AND A HALF TURNS OF THE CABLE AROUND THE DRUM SHEAVE.**



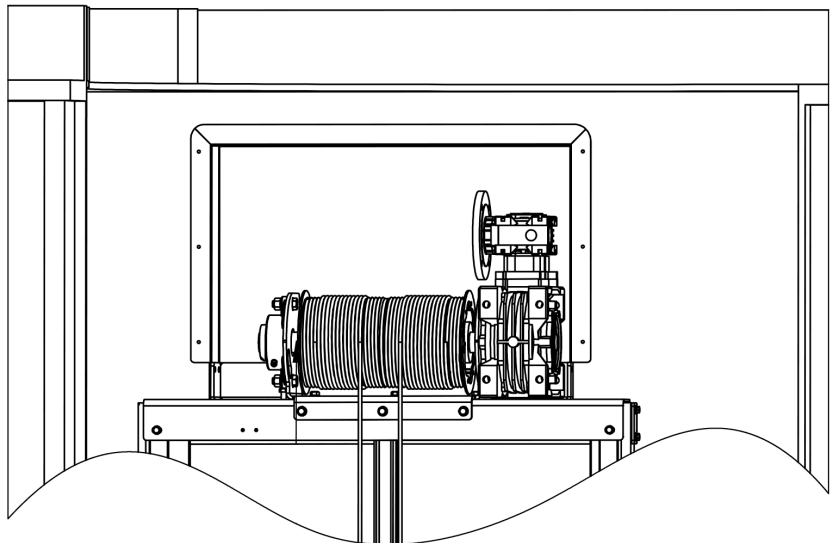
WARNING

VERIFY THAT THE JACK BOLT HAS BEEN PROPERLY ADJUST AFTER DRUM SHEAVE INSTALLATION.

CAUTION

ENSURE THE SET SCREWS ARE FIRMLY FASTENED TO THE DRUM KEY AND SHAFT.

ENSURE THAT THERE IS AT LEAST ONE AND A HALF TURNS OF CABLE AROUND THE DRUM SHEAVE



10. PREP THE DRIVE SHAFT

PROCEDURE

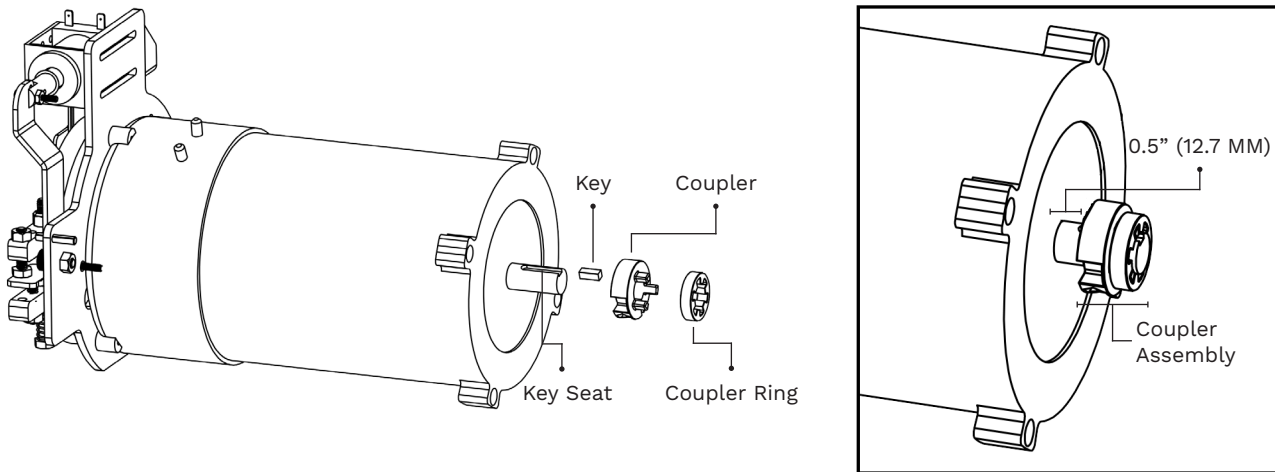
Install the Coupler, Coupler Ring and Key onto the Drive Shaft.

INSTALL

1. Insert the Key into the Key Seat and slide the Coupler onto the Drive Shaft, keeping the Coupler Keyway aligned with the Key.
2. Slide and insert the Coupler Ring into the Coupler.

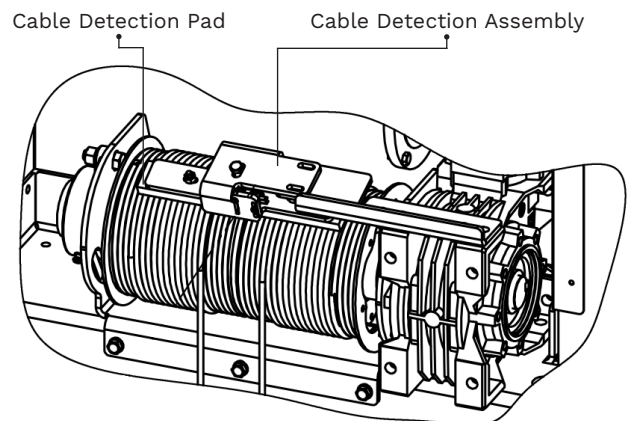
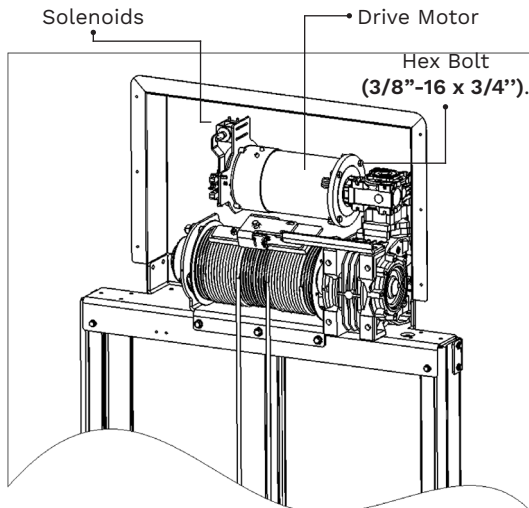
CAUTION

THE COUPLER ASSEMBLY SHOULD BE 0.5 INCH (12.7 MM) FROM THE DRIVE SHAFT BASE.



11. INSTALL THE DRIVE MOTOR

1. Install the Drive Motor and fasten it with 4 Hex Bolts (**3/8"-16 x 3/4"**). **THE SOLENOIDS ON THE DRIVE MOTOR SHOULD ALWAYS BE FACING FRONT AND EASILY ACCESSIBLE.**
2. Install the Cable Detection Assembly. Ensure the space between the Bottom of the Pad and the Cable is the width of two cables.



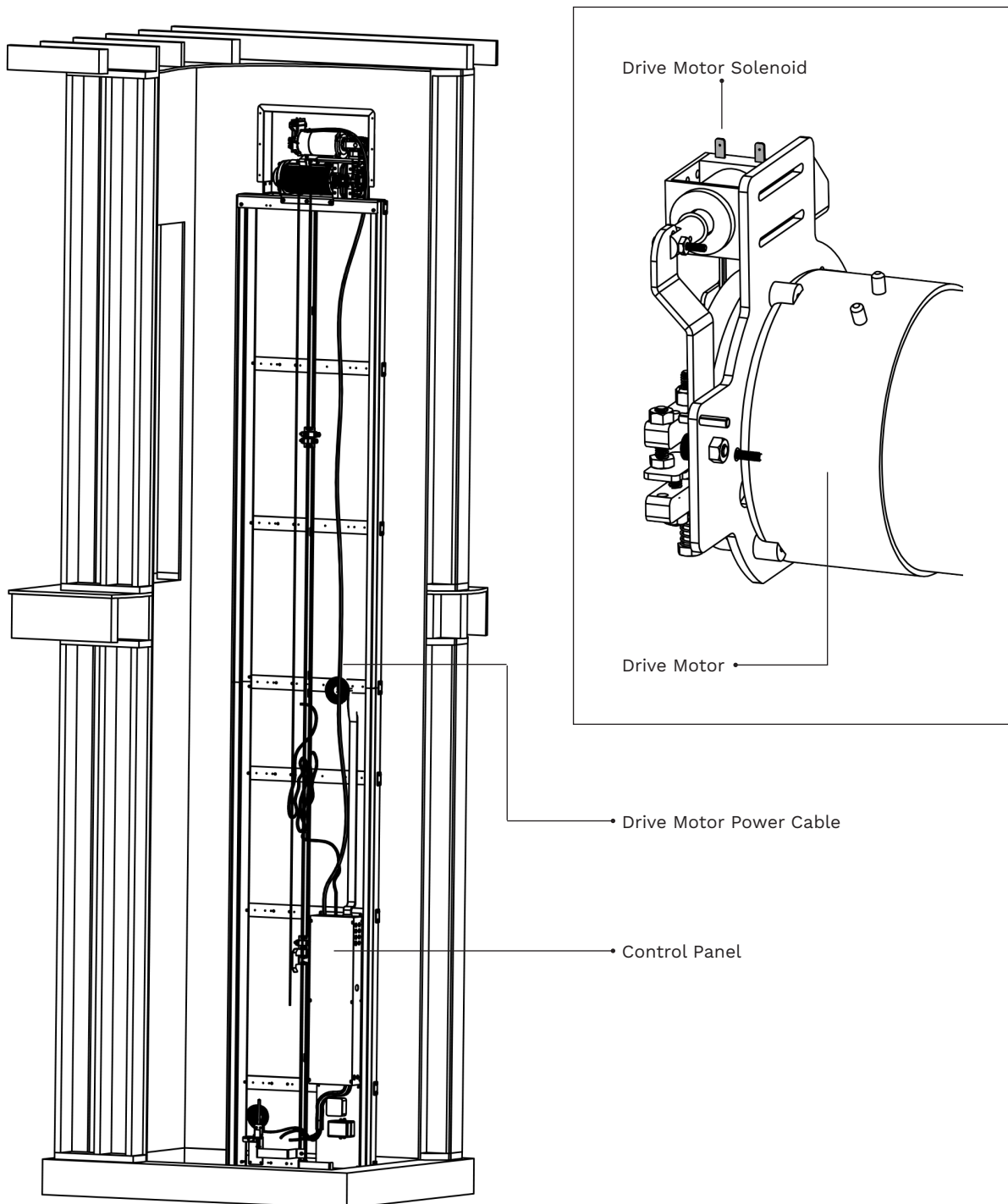
12. INSTALL THE DRIVE MOTOR POWER CABLE

PROCEDURE

Install the Drive Motor Power Cable to the Drive Motor.

INSTALL

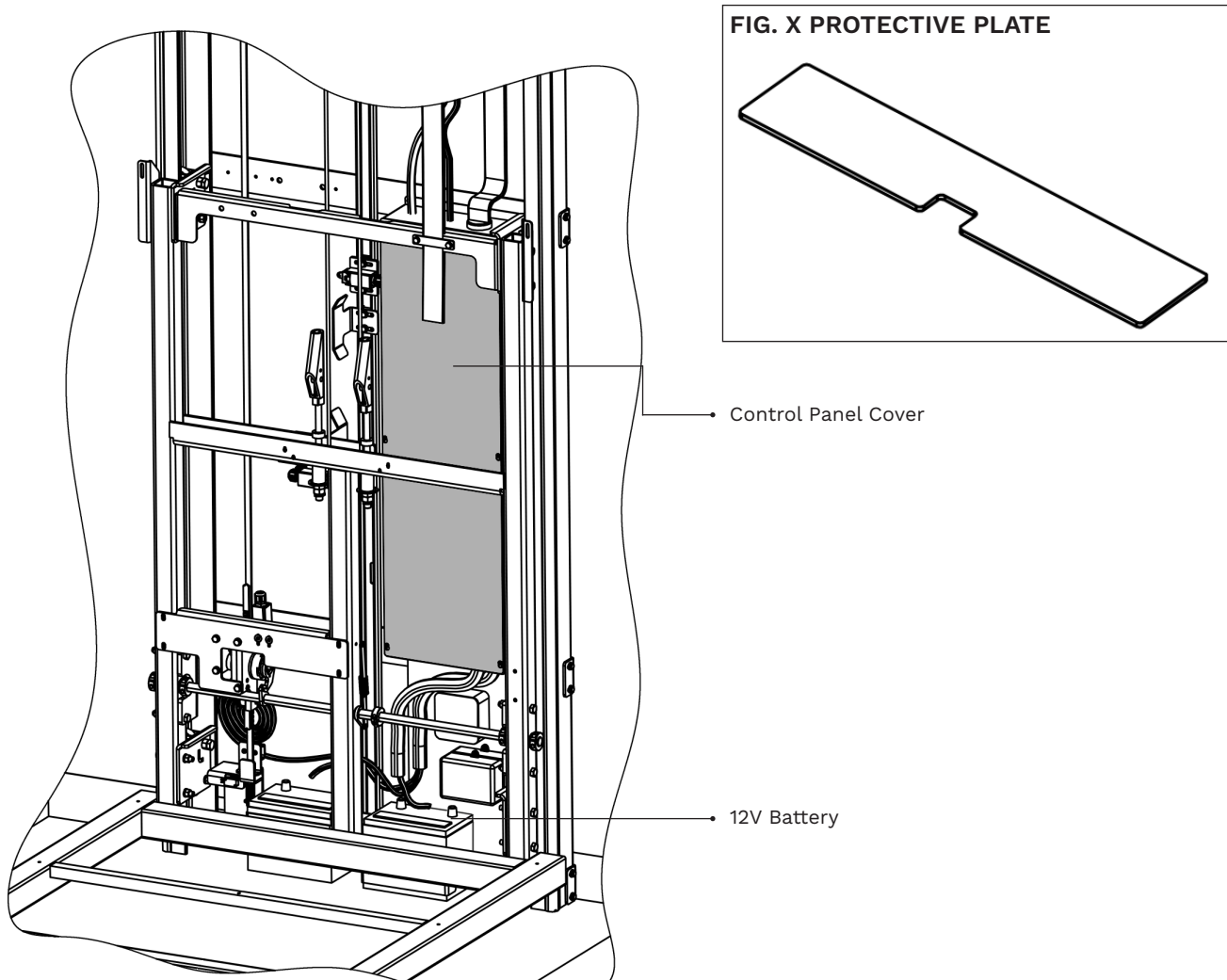
1. Locate the Drive Motor Power Cable (Rolled up near the Control Panel).
2. Wire and connect the Drive Motor Power Cable to the Drive Motor using the provided Electrical Diagram.



13. INSTALL AND WIRE THE BATTERIES

INSTALL

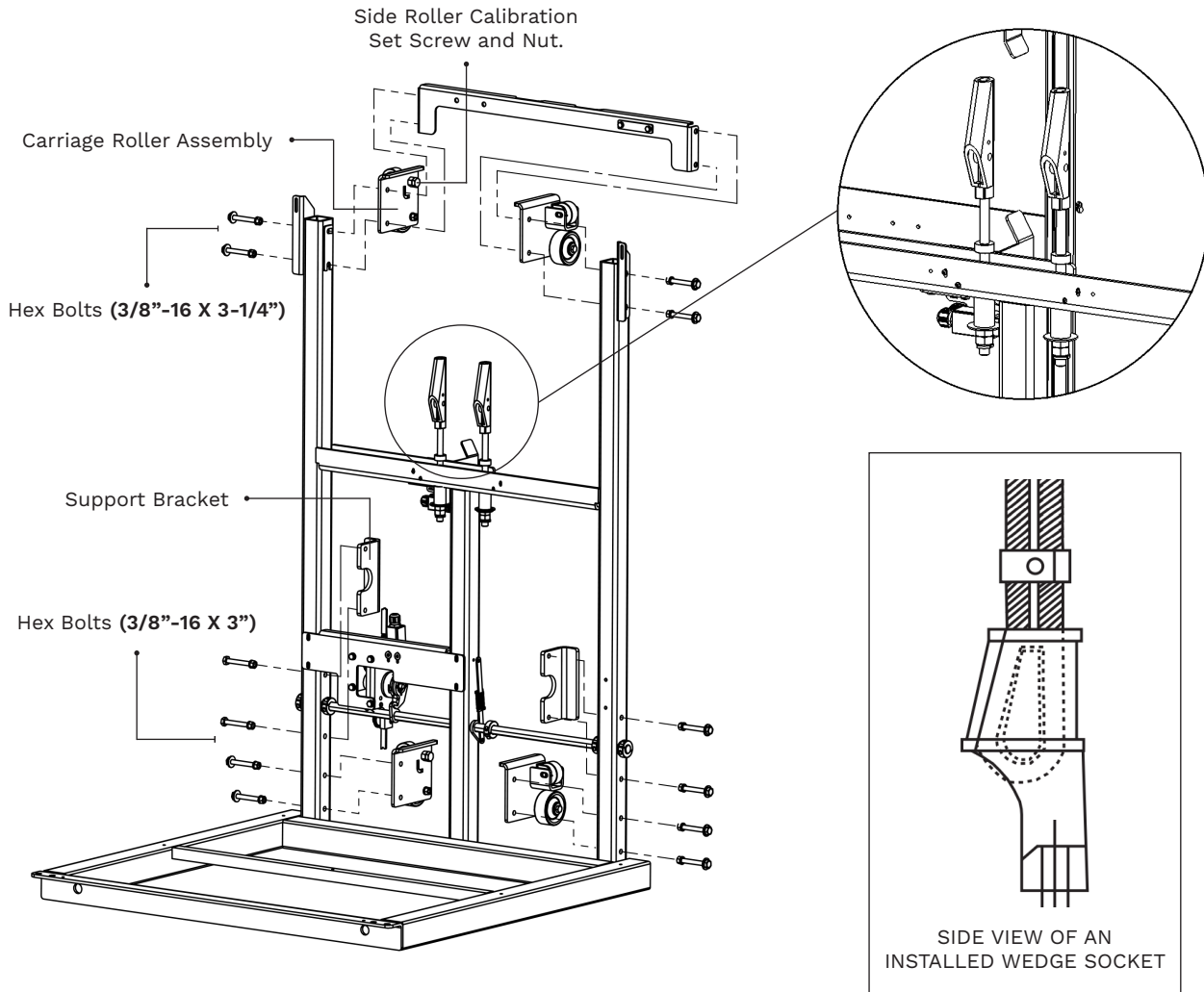
1. Remove the Control Panel Cover.
2. Before installing the batteries, ensure that the Protective Plate is properly installed in the Tower underneath the batteries.
3. Place the two 12V Batteries into position and wire according to the Wiring Diagram.



14. MOUNT CARRIAGE TO LOWER RAIL ASSEMBLY

INSTALL

1. Position the Carriage adjacent to the Rail Assembly.
2. Secure the Carriage to the Rail Assembly by reinstalling the 4 Carriage Roller Assemblies. **ENSURE TO INSTALL USING THE SAME HEX BOLT CONFIGURATION FROM STEP 1.**
3. Attach the Steel Wire Rope to the Wedge Sockets.



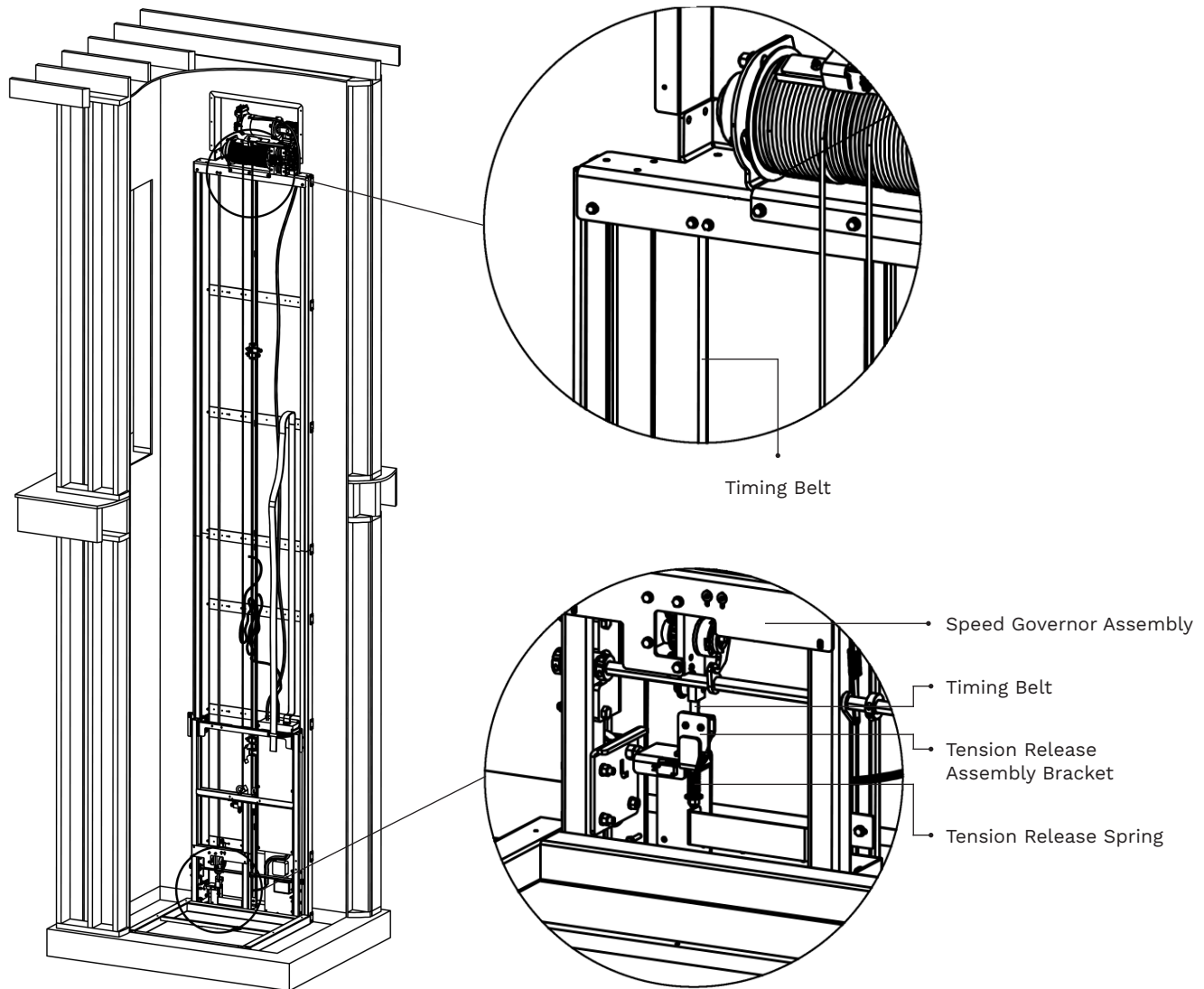
15. INSTALL TIMING BELT AND TENSION RELEASE

INSTALL

1. Attach the Timing Belt and Timing Belt Clamp to the Drive Unit Shelf. **ENSURE THE TIMING BELT'S COGGED RUBBER TEETH FACE TOWARDS THE CARRIAGE.**
2. Thread the Timing Belt through the Speed Governor. **REFER TO THE TIMING BELT DIAGRAM ON THE SPEED GOVERNOR.**
3. Attach the bottom of the timing belt to the bracket on the Tension release assembly.

WARNING

ENSURE THAT THERE IS NOT TOO MUCH TENSION ON THE TIMING BELT. EXCESSIVE TENSION ON THE TIMING BELT CAN DAMAGE THE TIMING BELT AND COMPROMISE OTHER COMPONENTS.



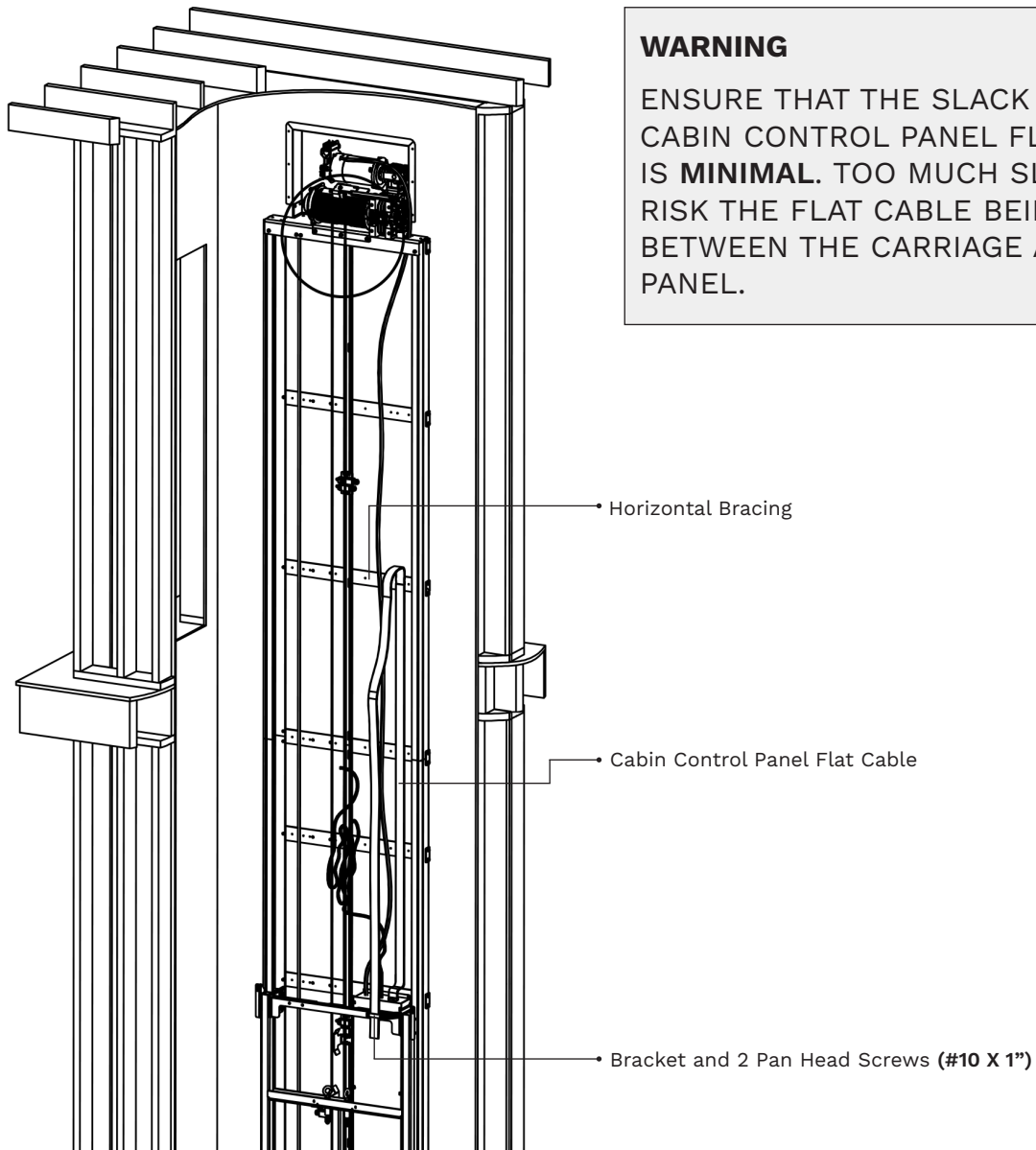
16. INSTALL CABIN CONTROL PANEL FLAT CABLE

PROCEDURE

Fasten the Cabin Control Panel Flat Cable into position.

INSTALL

1. Hold the Flat Cable in position and fasten to the Horizontal Bracing using 1 Bracket and 2 Pan Head Screws (#10 X 1") at each fastening point. **ENSURE THAT THE SLACK ON THE CABIN CONTROL PANEL FLAT CABLE IS MINIMAL. TOO MUCH SLACK WILL RISK THE FLAT CABLE BEING PINCHED BETWEEN THE CARRIAGE AND CONTROL PANEL.**



WARNING

ENSURE THAT THE SLACK ON THE CABIN CONTROL PANEL FLAT CABLE IS **MINIMAL**. TOO MUCH SLACK WILL RISK THE FLAT CABLE BEING PINCHED BETWEEN THE CARRIAGE AND CONTROL PANEL.

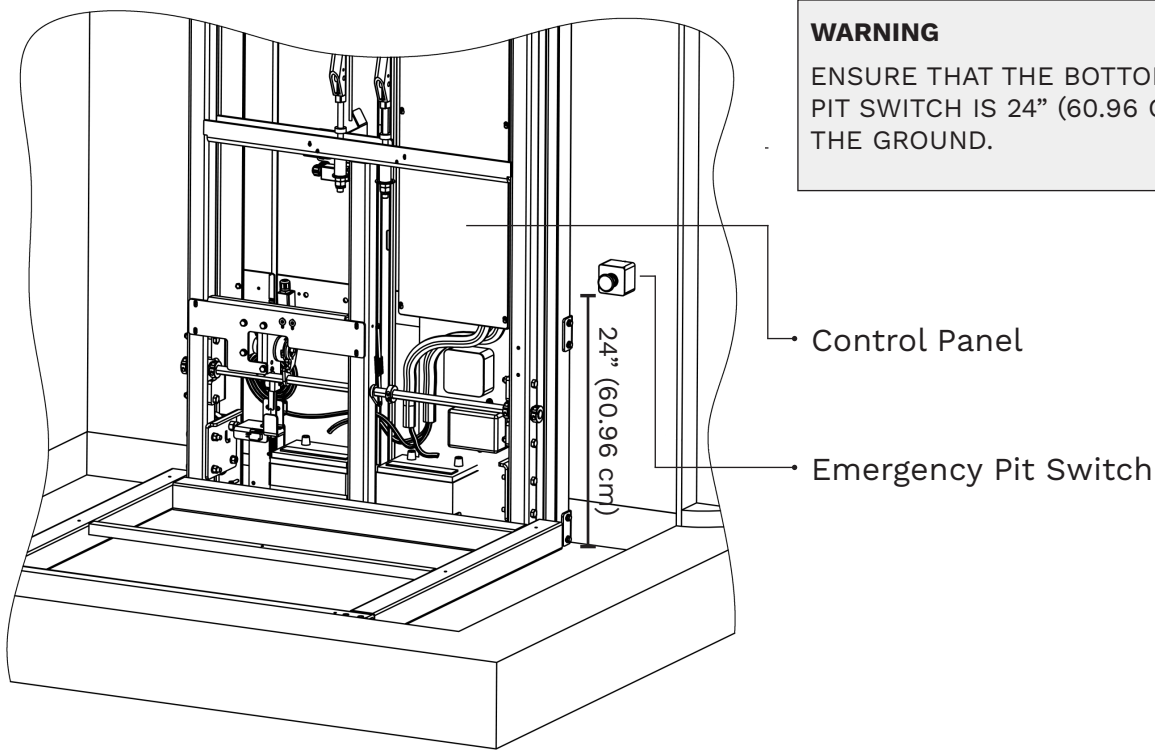
17. INSTALL EMERGENCY PIT SWITCH

PROCEDURE

Install and wire the Emergency Pit Switch.

INSTALL

1. Unroll the Pit Switch cable and thread through the pre-drilled hole located on the lower side of the Lower Rail Assembly.
2. Install the Emergency Pit Switch on the Supporting Wall, **24"** (60.96 cm) from the ground.
3. Connect and wire the switch using the rolled-up cable below the Control Panel using the Emergency Pit Switch Wiring Diagram.



18. WIRE IN THE HERCULES II HYBRID POWER SUPPLY

PROCEDURE

Wire and connect the **Hercules II Hybrid** to the main power supply

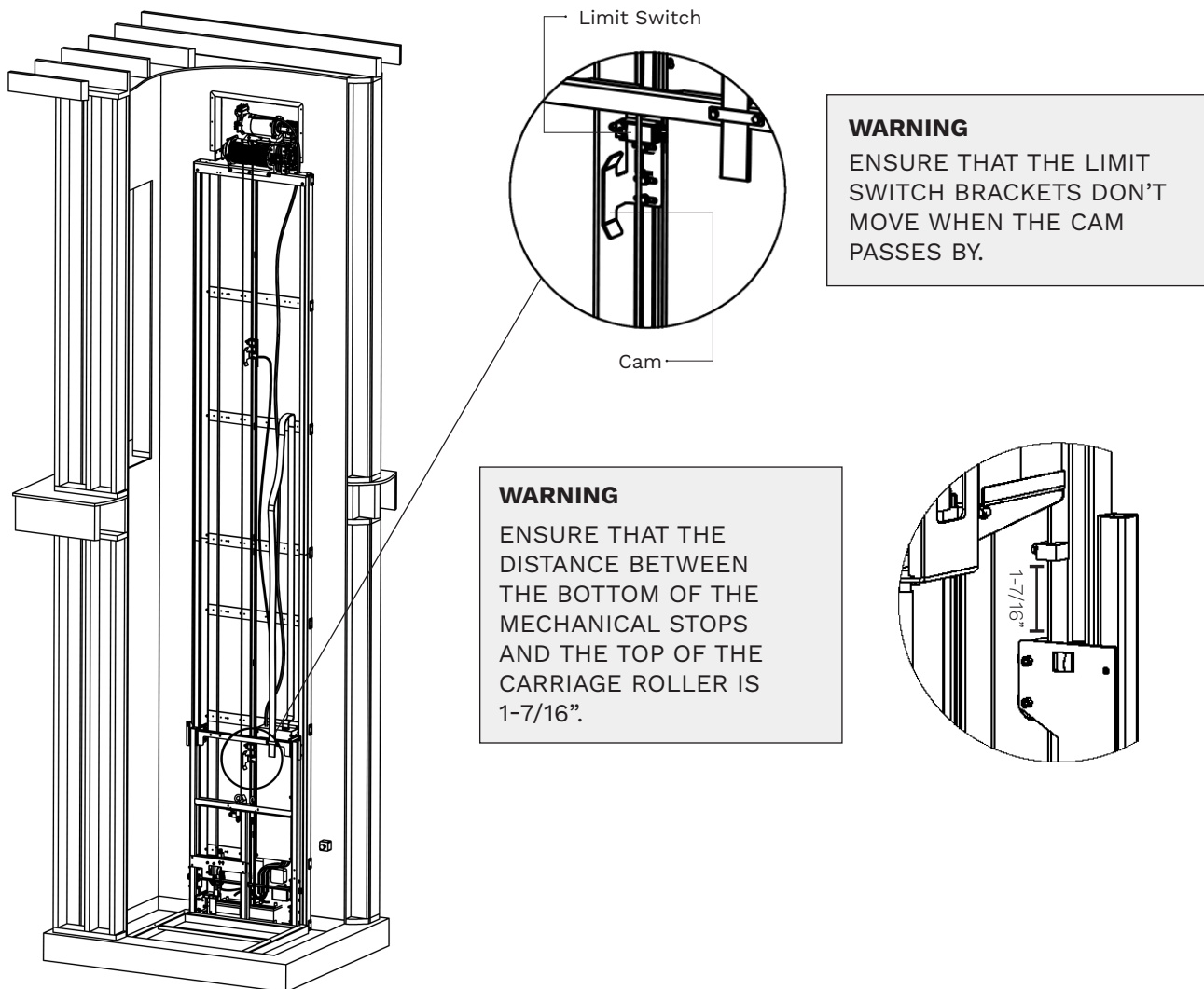
WARNING

The **Hercules II Hybrid** Vertical Platform Lift requires a 110VAC-15 AMP grounded electrical circuit and a GFCI protected circuit. Verify with Technical Drawings and Electrical Diagram before wiring. Ensure to follow all local codes and regulations.

19. INSTALL LIMIT/CAM & MECHANICAL STOPS

INSTALL

1. Unroll the Limit Switch/Cam Electrical Cables.
2. Loosen the Limit Switch/Cam Assembly, slide each into their respective positions and fasten.
3. Make adjustments to the Limit Switch/Cam Assembly is needed. **ENSURE THAT THE LIMIT SWITCH BRACKETS DON'T MOVE WHEN THE CAM PASSES BY.**
4. Install the Mechanical Stops on each side of the uppermost Rail Assembly. **ENSURE THAT THE DISTANCE BETWEEN THE TOP OF THE CARRIAGE ROLLER AND THE BOTTOM OF THE MECHANICAL STOP IS 1-7/16".**



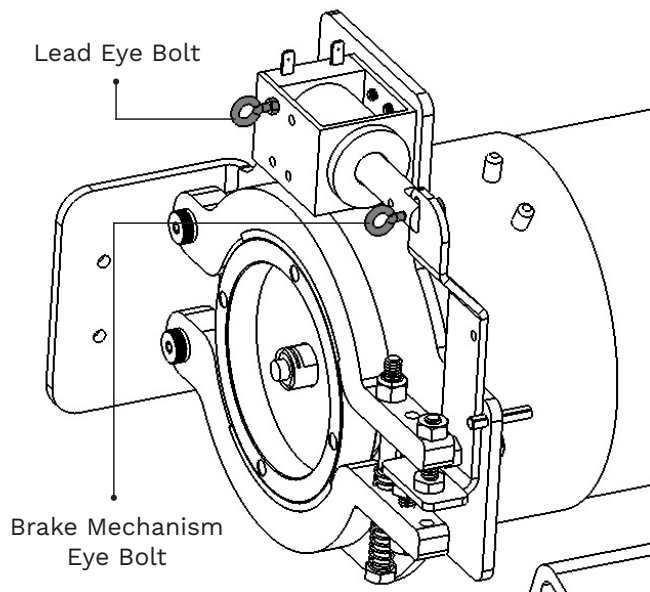
20. INSTALL THE MANUAL LOWERING DEVICE

PROCEDURE

Install The Manual Lowering Pull Cable and Box

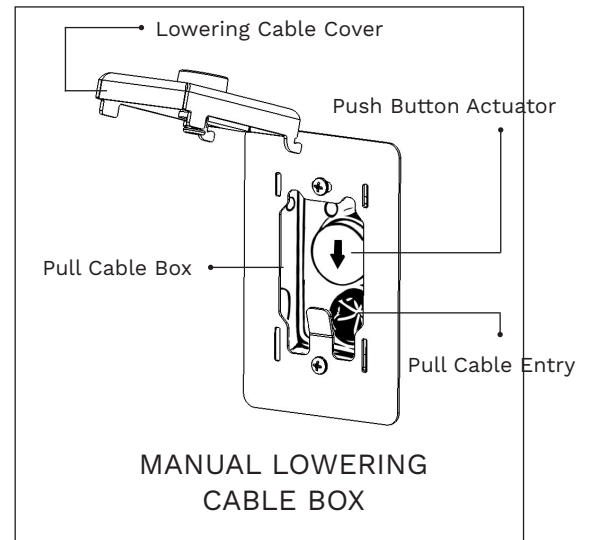
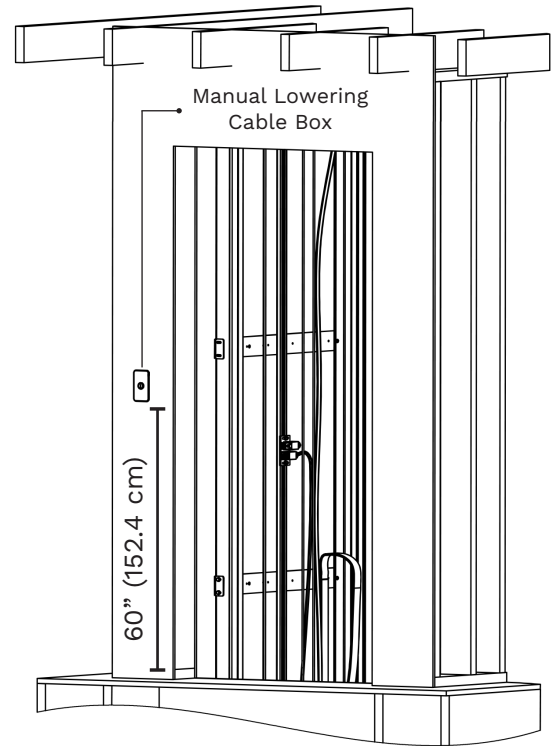
INSTALL

1. At the uppermost landing, install the Cable Box (around 60" from the Top Landing Floor).
2. Secure and tie the Pull Cable to the Brake Mechanism Eye Bolt. Thread the Pull Cable through the Lead Eye Bolt.
3. Run the Pull Cable to Pull Cable Box. Ensure the Pull Cable does not obstruct the operation of the elevator. Thread the Pull Cable through the lower entry. Loop and clamp the Pull Cable.
4. Wire the Push Button Actuator according to the Electrical Diagram found on the next page.



WARNING

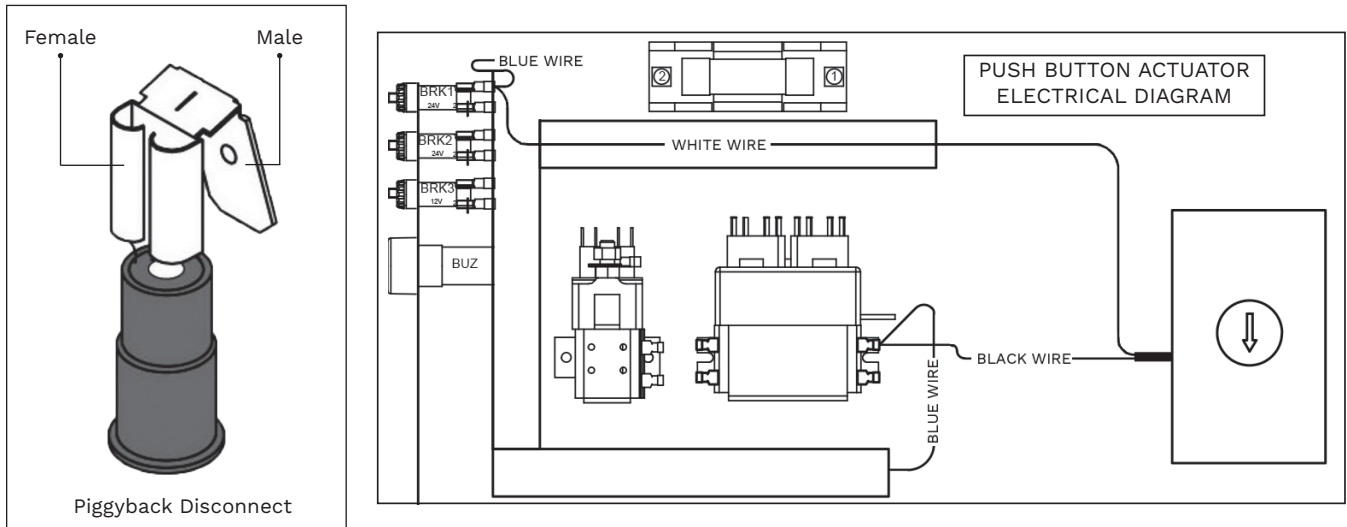
THE PLATFORM MUST COMPLETE A MINIMUM OF 50 UP AND DOWN CYCLES FOR THE EMERGENCY LOWERING DEVICE TO WORK.



(INSTALL THE MANUAL LOWERING DEVICE cont.)

WIRE

1. Remove the Blue Wire from BRK1 and connect the White Wire's Female Piggyback Disconnect in it's place. Connect the Blue Wire onto White Wire's Male Piggyback Disconnect.
2. Remove the Blue Wire from the A1 terminal on the M2 Contactor and connect the Black Wire's Female Piggyback Disconnect in it's place. Connect the Blue wire onto the Black Wire's Male Piggyback Disconnect.



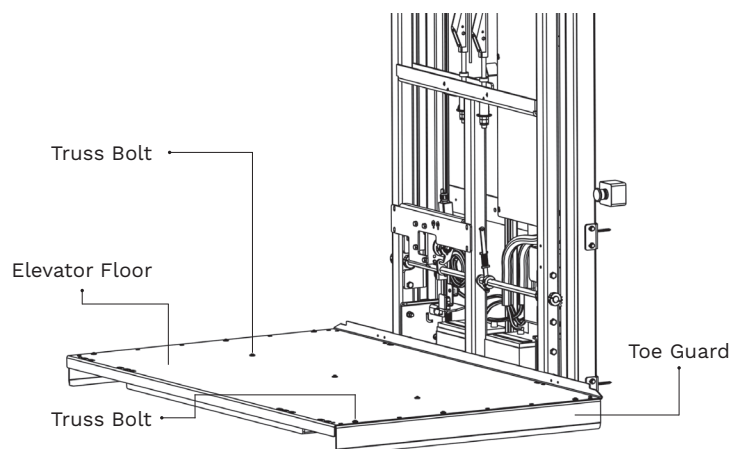
21. INSTALL THE ELEVATOR FLOOR

PROCEDURE

Install and fasten the Elevator Floor and Toe Guards

INSTALL

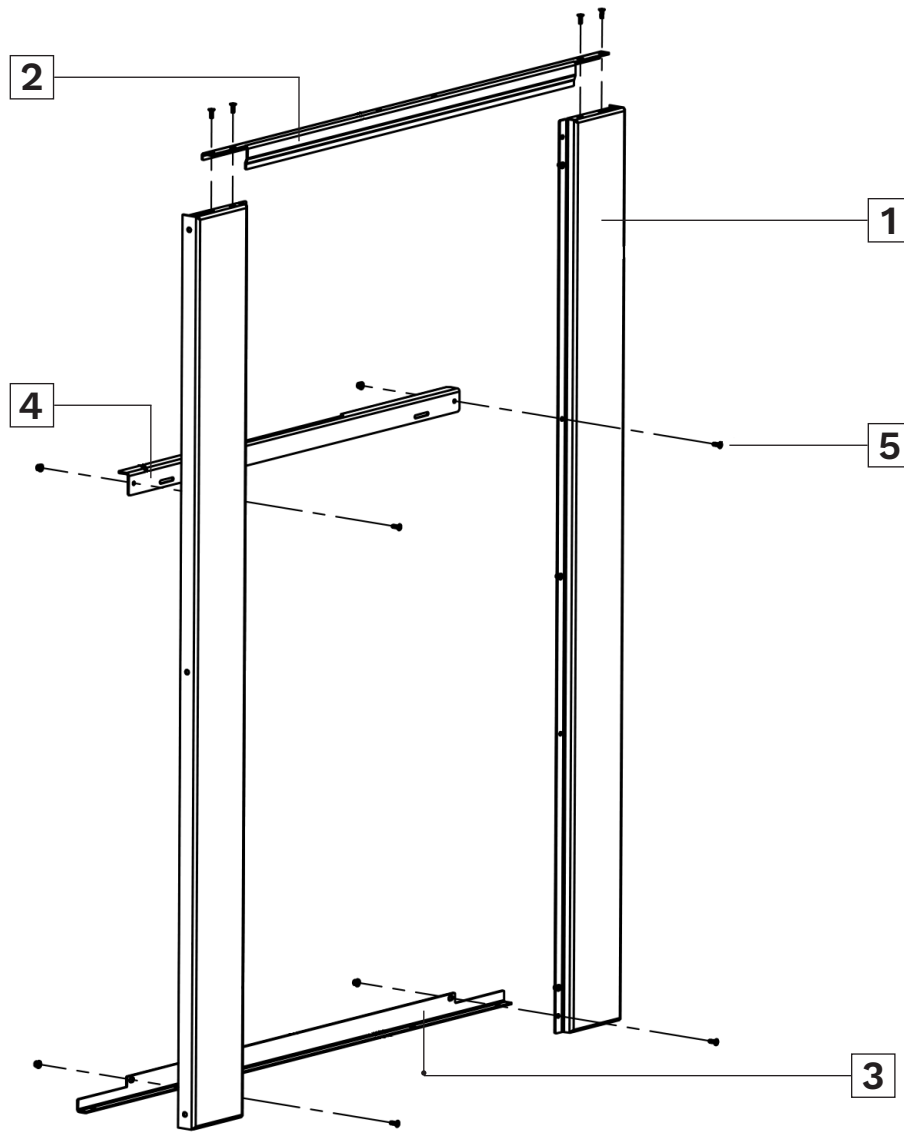
1. Align the Elevator Floor on the Carriage. Fasten the Elevator Floor to the Carriage using 3 Truss Bolts (**1/4-20 x 3/4"**) at the center of the Elevator Floor.
2. Install the Toe Guards using 3 Truss Bolts (**1/4-20 x 3/4"**). For 90° builds one of the Toe Guards can be replaced by using a reinforcement guard.



22. ASSEMBLE CABIN SIDE PANELS

PROCEDURE

Assemble both Cabin Side Panels using the Diagram and Table below.



ITEM	QUANTITY	DESCRIPTION
1	2	CABIN SIDE WALL
2	1	TOP MOLDING
3	1	BOTTOM ANGLE IRON
4	1	CARRIAGE ANGLE IRON
5	8	FLAT HEAD MACHINE BOLTS (1/4"-20 X 1")

NOTE

THE BOTTOM ANGLE IRON (3) IS INSTALLED UNDER THE CABIN SIDE WALL (1). THEY BOTH WILL BE FASTENED TO THE FLOOR LATER IN **STEP 23**.

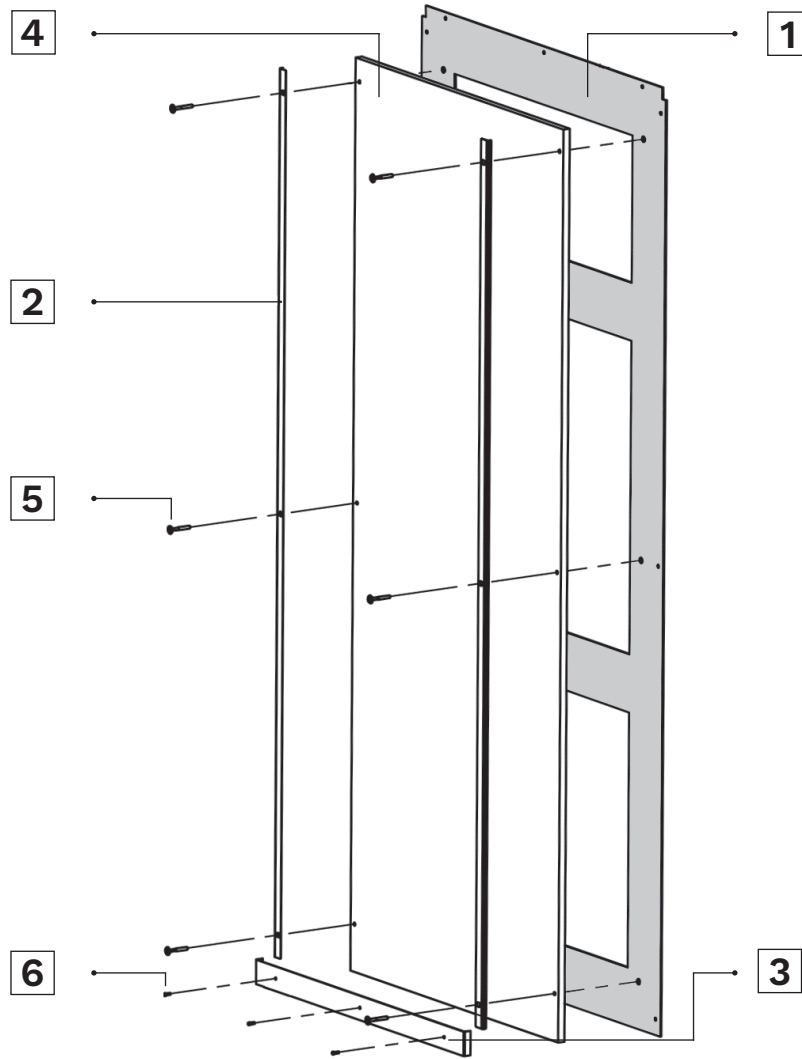
23. ASSEMBLE 0° CABIN BACK PANEL(OPTIONAL)

NOTE

THE ZERO DEGREE CABIN BACK PANEL IS ONLY USED FOR CABINS THAT HAVE THE SAME ENTRY AND EXIT.

PROCEDURE

Assemble the Zero Degree Cabin Back Panel using the Diagram and Table below. It's often better to install the 0° Rear Wall (1) to the Cabin Side Panels before installing the rest of the finishings. Refer to **Step 26** for installing the 0° Rear Wall.

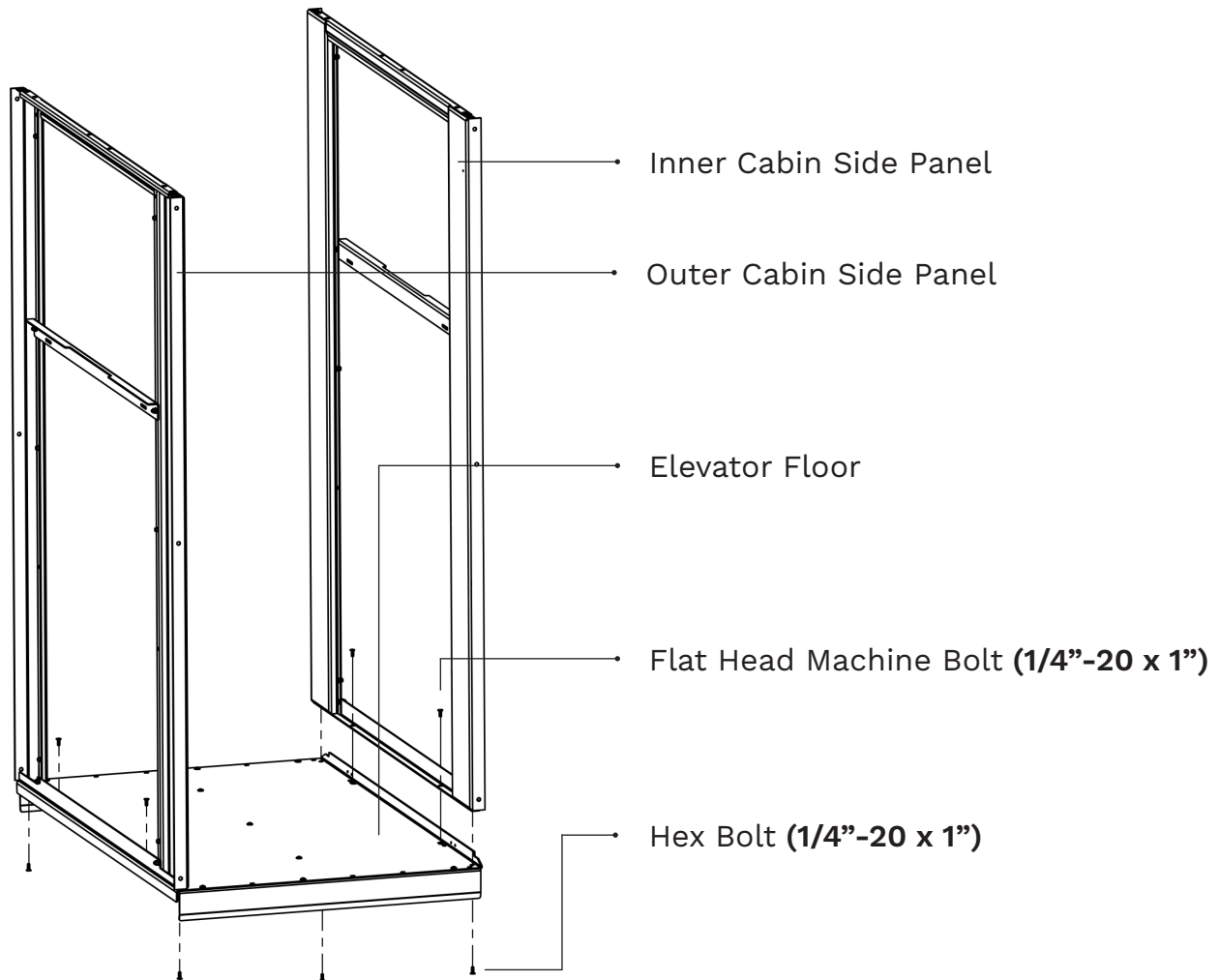


ITEM	QUANTITY	DESCRIPTION
1	1	0° REAR WALL
2	2	VERTICAL FINISHING TRIM
3	1	SKIRTING
4	1	INTERIOR WALL PANEL
5	6	TRUSS BOLT (1/4"-20 X 1/4")
6	3	WOOD SCREW (#8)

24. MOUNT CABIN SIDE PANELS TO FLOOR

INSTALL

1. Position and level the Inner Cabin Side Panel into position and fasten it to the Elevator Floor using 2 Flat Head Machine Bolts (1/4"-20 x 1").
2. Next, position and level the Outer Cabin Side Panel into position and fasten it to the Elevator Floor using 2 Flat Head Machine Bolts (1/4"-20 x 1").
3. Fasten 1 Hex Bolt (1/4"-20 x 1") underneath each corner through the Elevator Floor into the corners of the Cabin Side Panels. The platform will need to be raised in order to screw in the Flat Head Machine Bolts from underneath.



CAUTION

ITS EXTREMELY IMPORTANT THAT THE CABIN SIDE PANELS ARE LEVEL. OFTEN DUE TO THE CABIN FLOORING, THE CABIN SIDE PANELS WILL NEED TO BE SHIMMED.

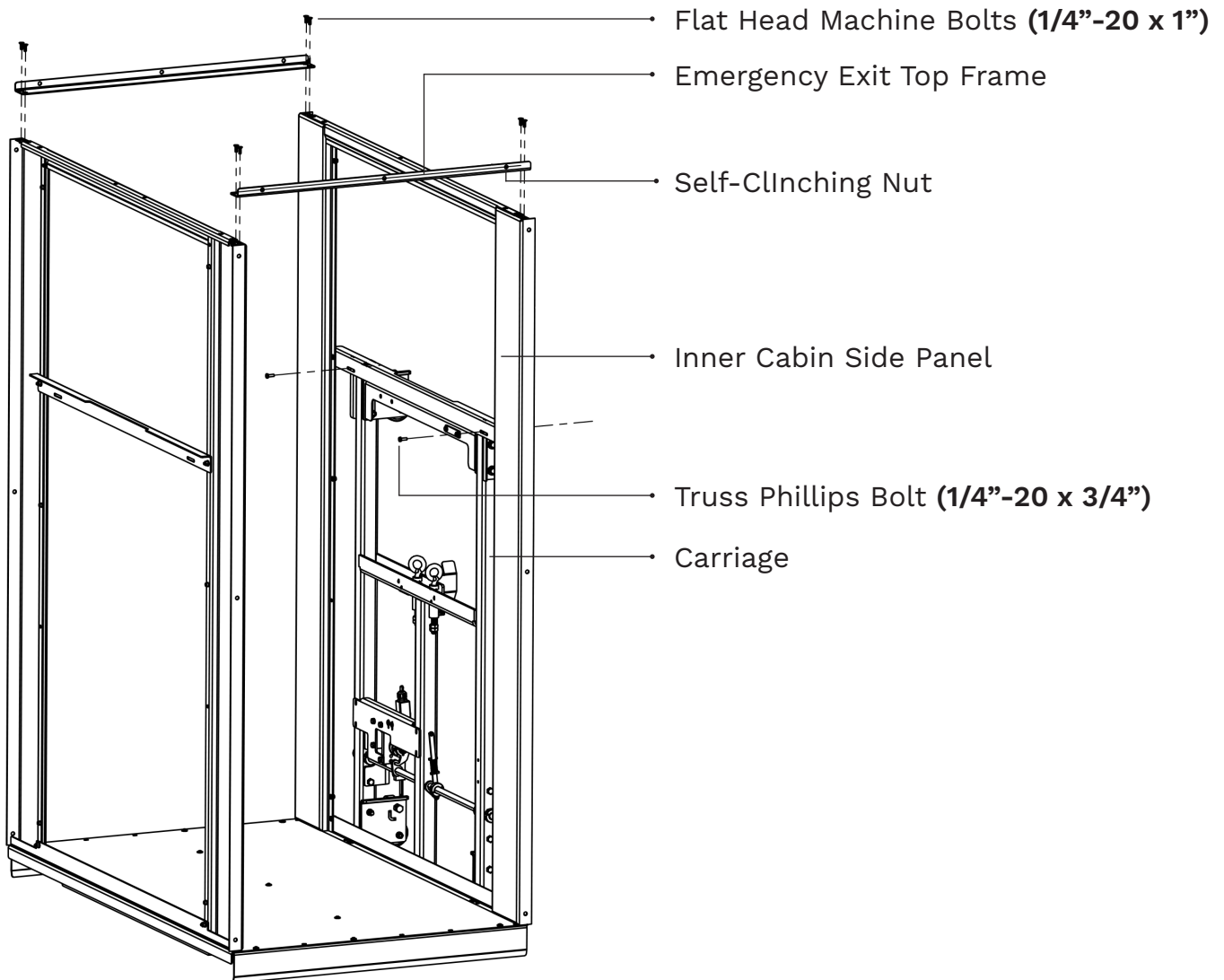
25. INSTALL EMERGENCY EXIT TOP FRAME

NOTE

IF YOU ARE INSTALLING A ZERO DEGREE CONFIGURATION AND HAVEN'T ALREADY MOUNTED THE CABIN BACK PANEL, DO SO BEFORE INSTALLING THE EMERGENCY EXIT TOP FRAMES.

INSTALL

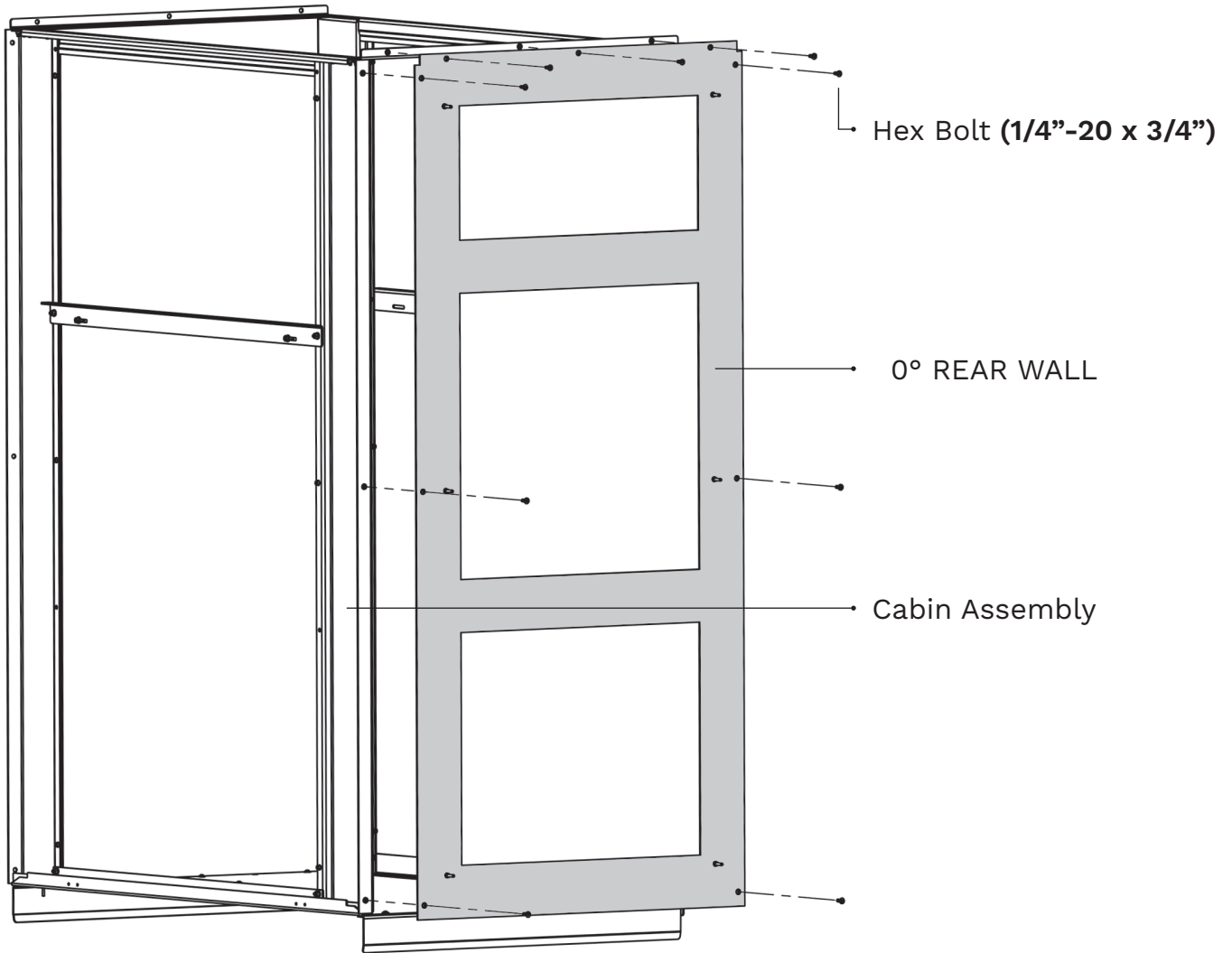
1. Fasten each Emergency Exit Top Frame using 4 Flat Head Machine Bolts (**1/4"-20 x 1"**). Ensure the Self-ClInching Nuts on both of the Emergency Exit Top Frames face outwards.
2. Attach the Inner Cabin Panel to the Carriage using 2 Truss Phillips Bolts (**1/4"-20 x 3/4"**), 2 Washers, 2 Hex Nuts



26. INSTALL CABIN BACK PANEL

INSTALL

1. Fasten the Cabin Back Panel to the Cabin Assembly (Emergency Exit Top Frame and Cabin Side Panels) using 9 Hex Bolts (1/4"-20 x 3/4").



NOTE

IF YOU HAVEN'T ALREADY DONE SO, INSTALL THE INTERIOR FINISHINGS TO THE CABIN BACK PANEL. REFER TO STEP 22 FOR INSTRUCTIONS.

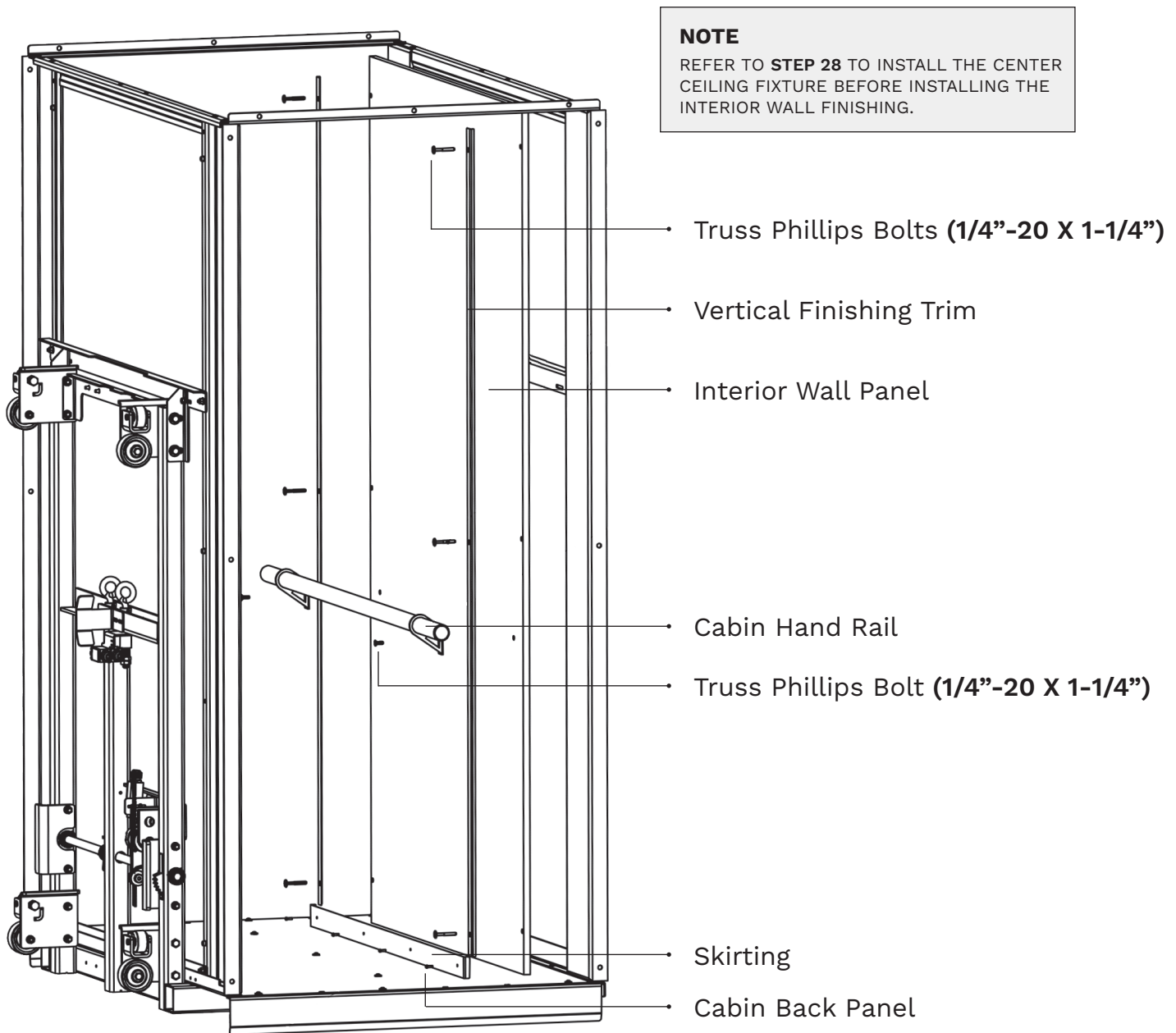
27. INSTALL CABIN SIDE PANEL WALL FINISHINGS

PROCEDURE

Assemble the Cabin Side Panel according to the Diagram below.

INSTALL

1. Install the Cabin Hand Rail using 2 Truss Phillips Bolts (**1/4"-20 X 1-1/4"**), 2 Washers and 2 Hex Nuts.
2. Fasten the Interior Wall Panel and the Vertical Finishing Trim using 6 Truss Phillips Bolts (**1/4"-20 X 1-1/4"**). **IT'S OFTEN BETTER TOP INSTALL THE CENTER CEILING FIXTURE BEFORE INSTALLING THE WALL FINISHING. REFER TO STEP 29.**
3. Fasten the Skirting to each Cabin Side panel using 4 Wooden Screws (**#8**) on each Skirting.



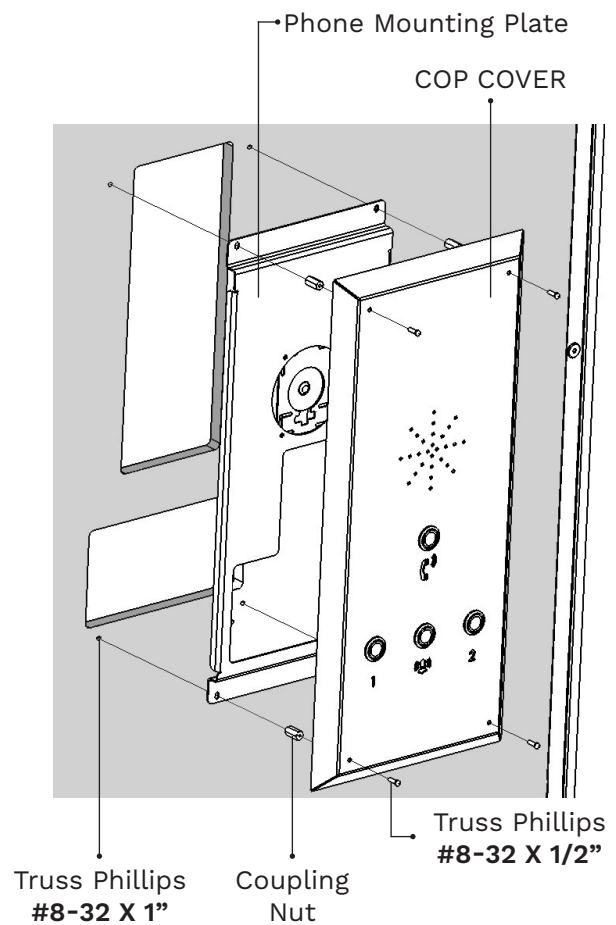
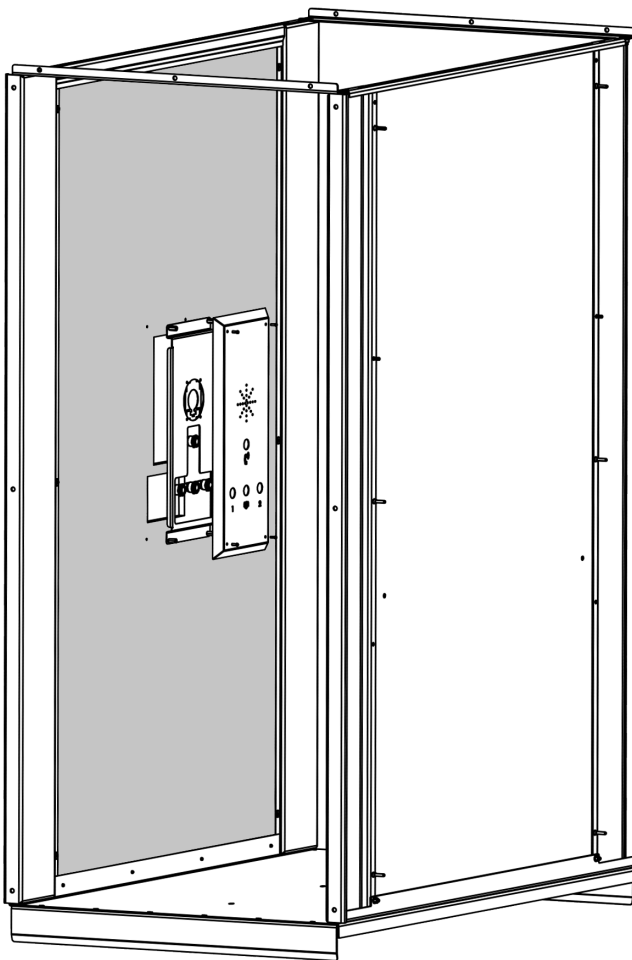
28. INSTALL COP SIDE WALL FINISHINGS

PROCEDURE

Install the COP Side Wall Finishings

INSTALL

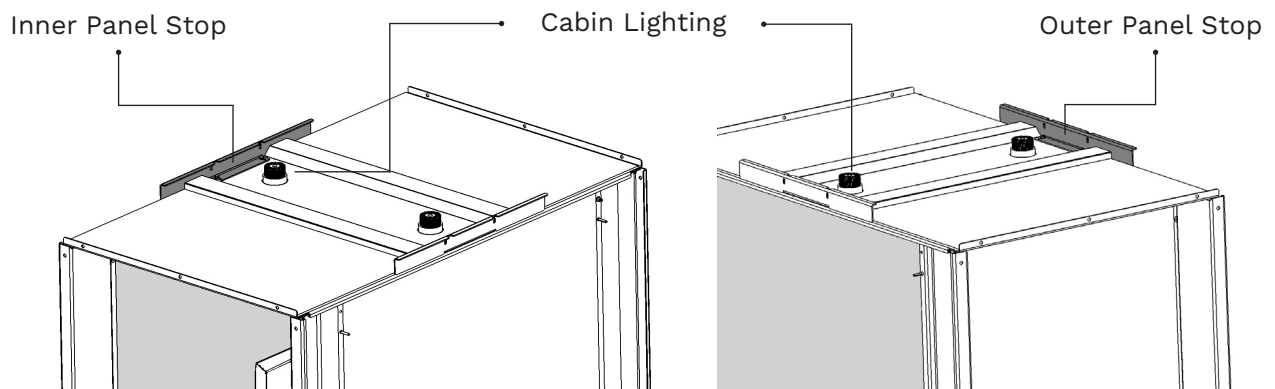
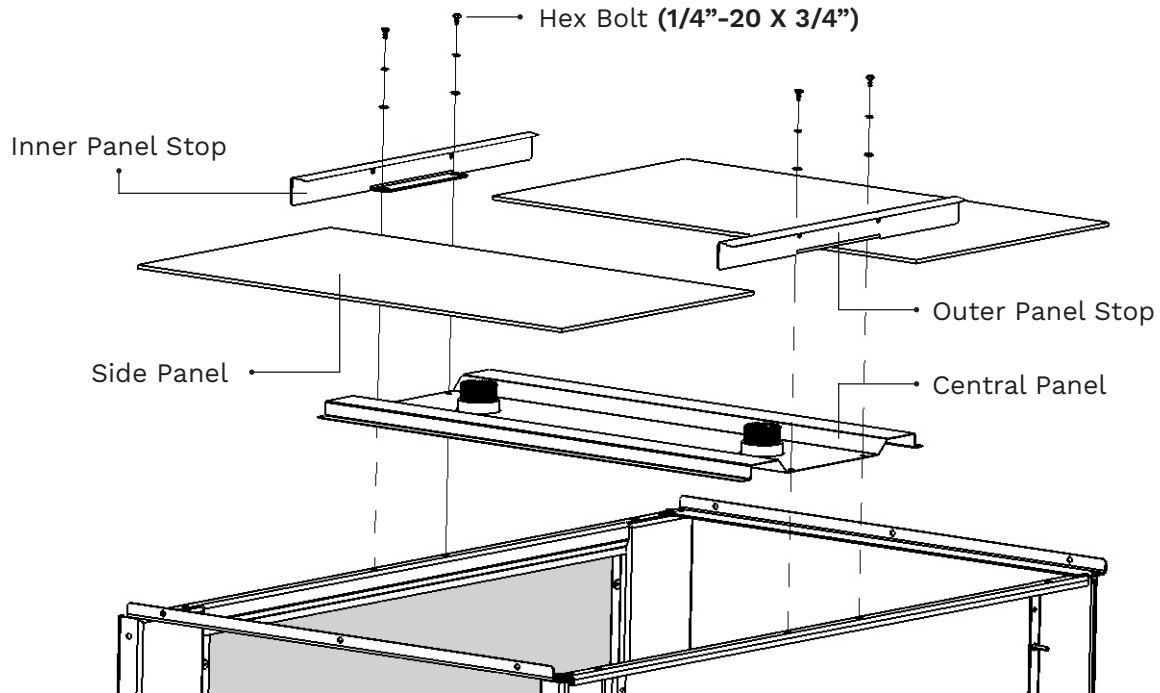
1. Refer to the **Step 26** for installation process.
2. Assemble and fasten the Speaker Pan and COP Cover using Truss Phillips (#8-32 X 1”), Coupling Nut and Truss Phillips (#8-32 X 1/2”).
3. Wire and connect the COP to the Control Panel using the provided electrical diagram.



29. INSTALL CEILING AND FINISHINGS

INSTALL

1. Place the Central Panel into position.
2. Position the Inner and Outer Panel Stops on top of the Central Panel and fasten using 2 Hex Bolts (1/4"-20 X 3/4") on each side.
3. Place each Side Panel into position.
4. Wire the lighting according to the Included Electrical Diagram.



NOTES



5110 Atlantic Avenue • Raleigh, NC 27616
www.ameriglide.com